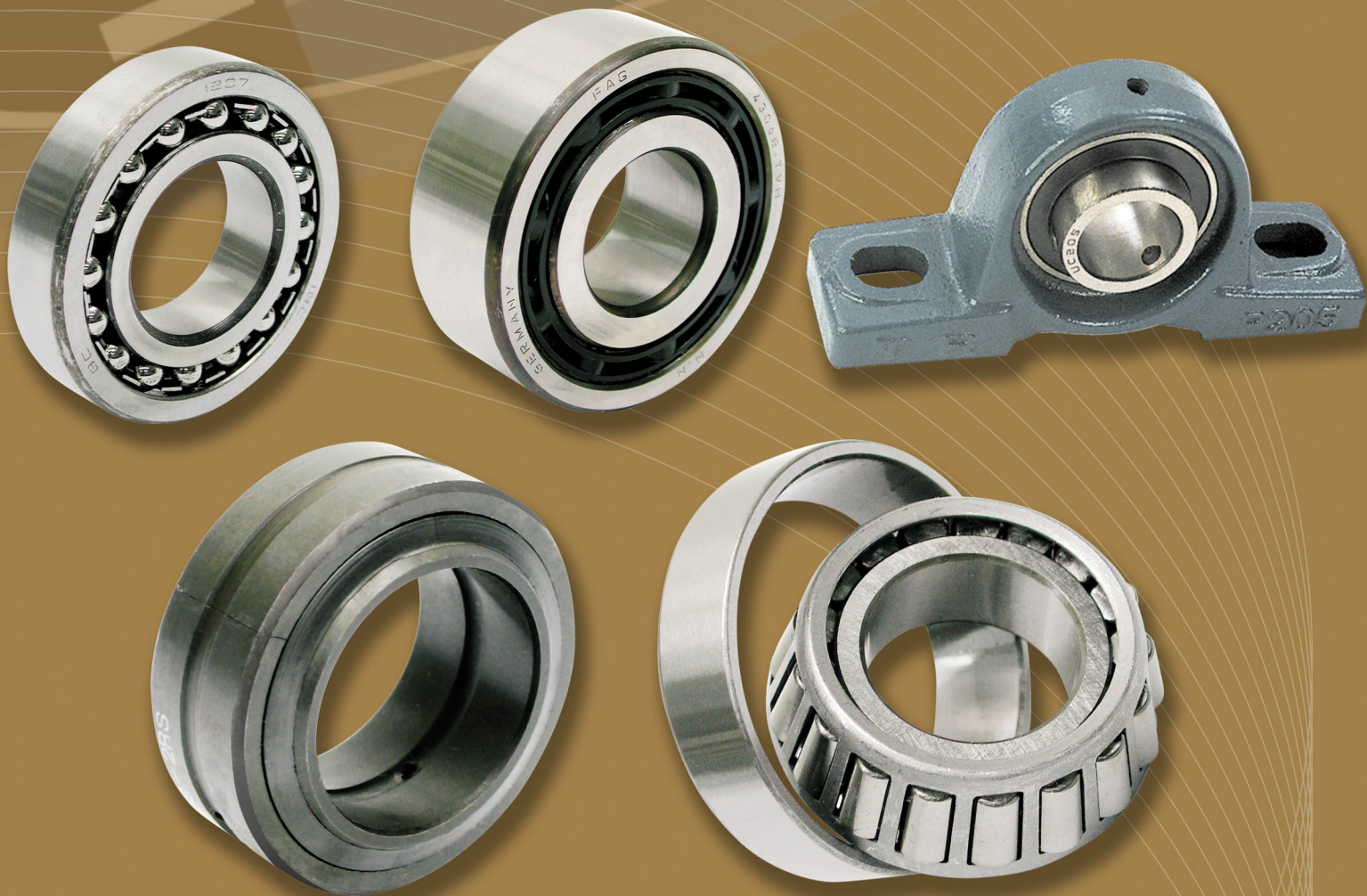
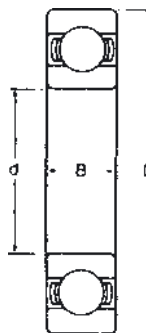


# BEARINGS



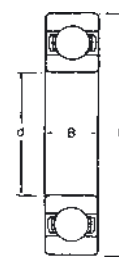
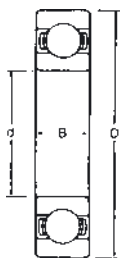


## SINGLE ROW BALL BEARINGS

2RS - sealing plates on both sides  
 2Z - protective plates on both sides  
 C3 - larger bearing clearance

ORDER NUMBER	ORDER NO. ECONOMIC	d mm	D mm	B mm
L624-2Z	L624-2ZK	4	13	5
L625-2RS	L625-2RSK	5	16	4
L686-2RS		6	13	5
L606-2Z		6	17	6
L626-2RS	L626-2RSK	6	19	6
L607-2RS	L607-2RSK	7	19	6
L627-2RS		7	22	7
L688-2Z		8	16	5
L608-2RS	L608-2RSK	8	22	7
L628-2Z		8	24	8
L609-2RS	L609-2RSK	9	24	7
L629-2RS	L629-2RSK	9	26	8
	L6000-2ZK	10	26	8
L6000-2RS	L6000-2RSK	10	26	8
L6000-2RSC3		10	26	8
L6200-2RS	L6200-2RSK	10	30	9
L6300-2RS	L6300-2RSK	10	35	11
	L6001-2ZK	12	28	8
L6001-2RS	L6001-2RSK	12	28	8
L6001-2RSC3		12	28	8
L63001-2RS		12	28	12
L6201-2RS	L6201-2RSK	12	32	10
L62201-2RS		12	32	14
L6301-2RS	L6301-2RSK	12	37	12
L6002-2RS	L6002-2RSK	15	32	9
L6202-2RS	L6202-2RSK	15	35	11
L6202-2RSC3		15	35	11
L62202-2RS		15	35	14
L6302-2RS	L6302-2RSK	15	42	13
L6003-2RS	L6003-2RSK	17	35	10
L6203-2RS	L6203-2RSK	17	40	12
	L6203-2ZK	17	40	12
L6203-2RSC3		17	40	12
L62203-2RS		17	40	16
L6303-2RS	L6303-2RSK	17	47	14

ORDER NUMBER	ORDER NO. ECONOMIC	d mm	D mm	B mm
L6004-2RS	L6004-2RSK	20	42	12
L6204-2RS	L6204-2RSK	20	47	14
L6204-2RSC3		20	47	14
L6304-2RS	L6304-2RSK	20	52	15
L6304-2RSC3		20	52	15
L6005-2RS	L6005-2RSK	25	47	12
L6205-2RS	L6205-2RSK	25	52	15
L6205-2RSC3		25	52	15
L6305-2RS	L6305-2RSK	25	62	17
L6305-2RSC3		25	62	17
L6006-2RS	L6006-2RSK	30	55	13
L6006-2RSC3		30	55	13
L6206-2RS	L6206-2RSK	30	62	16
L6206-2RSC3		30	62	16
L6306-2RS	L6306-2RSK	30	72	19
L6306-2RSC3		30	72	19
L6406		30	90	23
L6007-2RS	L6007-2RSK	35	62	14
L6007-2RSC3		35	62	14
L6207-2RS	L6207-2RSK	35	72	17
L6207-2RSC3		35	72	17
L6307-2RS	L6307-2RSK	35	80	21
L6307-2RSC3		35	80	21
L6407		35	100	25
L6008-2RS	L6008-2RSK	40	68	15
L6008-2RSC3		40	68	15
L6208-2RS	L6208-2RSK	40	80	18
L6208-2RSC3		40	80	18
L6308-2RS	L6308-2RSK	40	90	23
L6308-2RSC3		40	90	23
L6009-2RS	L6009-2RSK	45	75	16
L6209-2RS	L6209-2RSK	45	85	19
L6209-2RSC3		45	85	19
L6309-2RS		45	100	25
L6309-2RSC3		45	100	25
L6010-2RS	L6010-2RSK	50	80	16
L6210-2RS	L6210-2RSK	50	90	20
L6210-2RSC3		50	90	20
L6310-2RS		50	110	27



## SINGLE ROW BALL BEARINGS

- 2RS - sealing plates on both sides
- 2Z - protective plates on both sides
- C3 - larger bearing clearance

ORDER NUMBER	ORDER NO. ECONOMIC	d mm	D mm	B mm
L61811-2RS		55	72	9
L6011-2RS		55	90	18
L6211-2RS	L6211-2RSK	55	100	21
L6311-2RS		55	120	29
L6012-2RS		60	95	18
L6212-2RS		60	110	22
L6312-2RS		60	130	31
L6013-2RS		65	100	18
L6213-2RS		65	120	23
L6014-2RS		70	110	20
L6214-2RS		70	125	24
L6015-2RS		75	115	20
L6215-2RS		75	130	25
L6016-2RS		80	125	22
L6216-2RS		80	140	26
L6217-2RS		85	150	28
L6218-2RS		90	160	30
L6020-2RS		100	150	24

## BALL BEARINGS inch

ORDER NUMBER	d mm	D mm	B mm
LEE3-2RS	9,525	22,225	7,144
LEE4-2RS	12,7	28,575	7,144
LRLS4-2RS	12,7	33,3	9,375
LEE5-2RS	15,875	34,925	8,711
LRLS5-2RS	15,875	39,688	11,112
LRLS6-2RS	19,05	47,625	14,288
LEE7-2RS	19,05	44,4	12,7

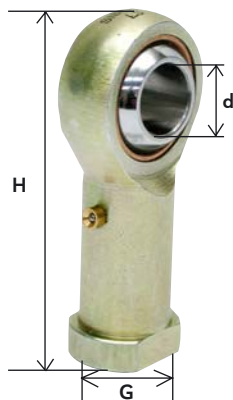
## ARTICULATION BEARINGS

2RS - sealing plates on both sides



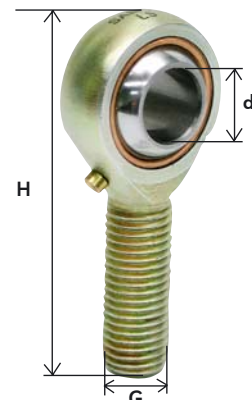
ORDER NUMBER	ORDER NO. ECONOMIC	ORDER NO. ECONOMIC PROTECTED	d mm HOLE	D mm OUTER DIAMETER	B mm WIDTH INNER CIRCLE	C mm WIDTH OUTER CIRCLE
LGE8	LGE8K		8	16	8	5
LGE10	LGE10K		10	19	9	6
LGE12	LGE12K		12	22	10	7
LGE15	LGE15K		15	26	12	9
LGE17	LGE17K		17	30	14	10
LGE20	LGE20K	LGE20-2RSK	20	35	16	12
LGE25	LGE25K	LGE25-2RSK	25	42	20	16
LGE30	LGE30K	LGE30-2RSK	30	47	22	18
	LGE30K		30	55	32	20
LGE35	LGE35K	LGE35-2RSK	35	55	25	20
	LGE35K		35	62	35	22
LGE40	LGE40K	LGE40-2RSK	40	62	28	22
LGE45	LGE45K	LGE45-2RSK	45	68	32	25
	LGE45K		45	75	43	28
LGE50	LGE50K	LGE50-2RSK	50	75	35	28
LGE60	LGE60K	LGE60-2RSK	60	90	44	36
LGE70	LGE70K	LGE70-2RSK	70	105	49	40
LGE80	LGE80K	LGE80-2RSK	80	120	55	45

## ARTICULATED ARMS



ORDER NUMBER	d mm	G mm	H mm
LJAF06	6	M6	39
LJAF08	8	M8	47
LJAF10	10	M10	56
LJAF12	12	M12	65
LJAF14	14	M14	74
LJAF16	16	M16	83
LJAF18	18	M18x1,5	92
LJAF20	20	M20x1,5	100
LJAF22	22	M22x1,5	109
LJAF25	25	M24x2	124
LJAF28	28	M27x2	136
LJAF30	30	M30x2	145

## ARTICULATED ARMS



ORDER NUMBER	d mm	G mm	H mm
LJAM06	6	M6	39
LJAM08	8	M8	47
LJAM10	10	M10	56
LJAM12	12	M12	65
LJAM14	14	M14	74
LJAM16	16	M16	83
LJAM18	18	M18x1,5	92
LJAM20	20	M20x1,5	100
LJAM22	22	M22x1,5	109
LJAM25	25	M24x2	124
LJAM28	28	M27x2	136
LJAM30	30	M30x2	145

## PLUMMER BLOCK BEARINGS VERTICAL



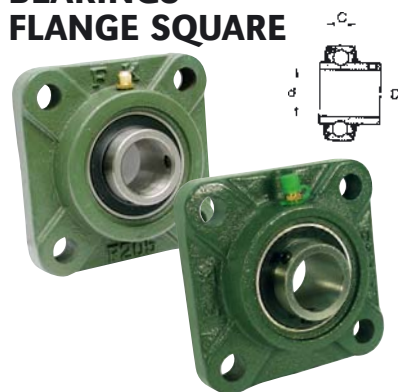
ORDER NUMBER	ORDER NO. ECONOMIC	LOOSE BEARING	LOOSE BEAR. ECONOMIC	d mm	D mm	C mm
LUCP202		LUC202		15	35	11
LUCP203		LUC203		17	47	17
LUCP204	LUCP204K	LUC204	LUC204K	20	47	17
LUCP205	LUCP205K	LUC205	LUC205K	25	52	17
LUCP206	LUCP206K	LUC206	LUC206K	30	62	19
LUCP207	LUCP207K	LUC207	LUC207K	35	72	20
LUCP208	LUCP208K	LUC208	LUC208K	40	80	21
LUCP209	LUCP209K	LUC209	LUC209K	45	85	22
LUCP210	LUCP210K	LUC210	LUC210K	50	90	23
LUCP211	LUCP211K	LUC211	LUC211K	55	100	25
LUCP212	LUCP212K	LUC212	LUC212K	60	110	27
	LUCP213K	LUC213	LUC213K	65	120	29
			LUC214K	70	125	29

## PLUMMER BLOCK BEARINGS FLANGE OVAL



ORDER NUMBER	ORDER NO. ECONOMIC	LOOSE BEARING	LOOSE BEAR. ECONOMIC	d mm	D mm	C mm
LUCFL202		LUC202		15	35	11
		LUC203		17	47	17
LUCFL204	LUCFL204K	LUC204	LUC204K	20	47	17
LUCFL205	LUCFL205K	LUC205	LUC205K	25	52	17
LUCFL206	LUCFL206K	LUC206	LUC206K	30	62	19
LUCFL207	LUCFL207K	LUC207	LUC207K	35	72	20
LUCFL208	LUCFL208K	LUC208	LUC208K	40	80	21
LUCFL209	LUCFL209K	LUC209	LUC209K	45	85	22
LUCFL210	LUCFL210K	LUC210	LUC210K	50	90	23
LUCFL211	LUCFL211K	LUC211	LUC211K	55	100	25
	LUCFL212K	LUC212	LUC212K	60	110	27
		LUC213	LUC213K	65	120	29
			LUC214K	70	125	29

## PLUMMER BLOCK BEARINGS FLANGE SQUARE



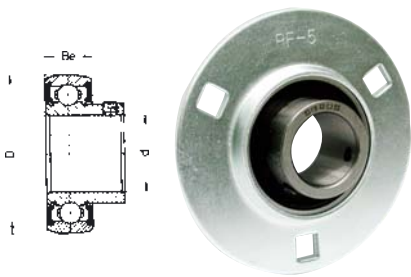
ORDER NUMBER	ORDER NO. ECONOMIC	LOOSE BEARING	LOOSE BEAR. ECONOMIC	d mm	D mm	C mm
		LUC202		15	35	11
LUCF203		LUC203		17	47	17
LUCF204	LUCF204K	LUC204	LUC204K	20	47	17
LUCF205	LUCF205K	LUC205	LUC205K	25	52	17
LUCF206	LUCF206K	LUC206	LUC206K	30	62	19
LUCF207	LUCF207K	LUC207	LUC207K	35	72	20
LUCF208	LUCF208K	LUC208	LUC208K	40	80	21
LUCF209	LUCF209K	LUC209	LUC209K	45	85	22
LUCF210	LUCF210K	LUC210	LUC210K	50	90	23
LUCF211	LUCF211K	LUC211	LUC211K	55	100	25
LUCF212	LUCF212K	LUC212	LUC212K	60	110	27
	LUCF213K	LUC213	LUC213K	65	120	29
			LUC214K	70	125	29

## PLUMMER BLOCK BEARINGS FLANGE ROUNDED



ORDER NUMBER	ORDER NO. ECONOMIC	LOOSE BEARING	LOOSE BEAR. ECONOMIC	d mm	D mm	C mm
LUCFC204	LUCFC204K	LUC204	LUC204K	20	47	17
	LUCFC205K	LUC205	LUC205K	25	52	17
	LUCFC206K	LUC206	LUC206K	30	62	19
LUCFC207	LUCFC207K	LUC207	LUC207K	35	72	20
LUCFC208	LUCFC208K	LUC208	LUC208K	40	80	21
LUCFC209	LUCFC209K	LUC209	LUC209K	45	85	22
LUCFC210	LUCFC210K	LUC210	LUC210K	50	90	23
LUCFC211	LUCFC211K	LUC211	LUC211K	55	100	25
	LUCFC212K	LUC212	LUC212K	60	110	27

## BEARING UNIT SHEET METAL, ROUNDED



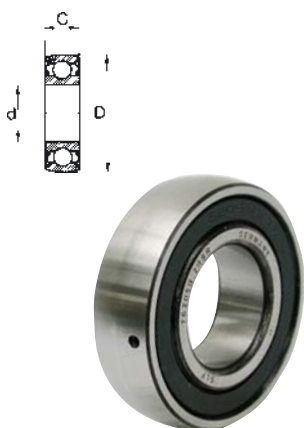
ORDER-NUMBER	ORDER NO. ECONOMIC	LOOSE BEARING	LOOSE BEAR. ECONOMIC	d mm	D mm	B mm
LUBPF204	LUBPF204K	LUB204	LUB204K	20	47	14
LUBPF205	LUBPF205K	LUB205	LUB205K	25	52	15
LUBPF206	LUBPF206K	LUB206	LUB206K	30	62	16
LUBPF207	LUBPF207K	LUB207	LUB207K	35	72	17

## BEARING UNIT SHEET METAL, OVAL



ORDER-NUMBER	ORDER NO. ECONOMIC	LOOSE BEARING	LOOSE BEAR. ECONOMIC	d mm	D mm	B mm
LUBPFL202		LUB202		15	40	12
LUBPFL203		LUB203		17	40	12
LUBPFL204	LUBPFL204K	LUB204	LUB204K	20	47	14
LUBPFL205	LUBPFL205K	LUB205	LUB205K	25	52	15
LUBPFL206	LUBPFL206K	LUB206	LUB206K	30	62	16
LUBPFL207	LUBPFL207K	LUB207	LUB207K	35	72	17
		LUB208		40	80	18

## LOOSE BEARINGS FOR BEARING UNITS



ORDER NUMBER	d mm	D mm	C mm
L76204-2RS	20	47	14
L76205-2RS	25	52	15
L76206-2RS	30	62	16
L76207-2RS	35	72	17
L76208-2RS	40	80	18
L76209-2RS	45	85	19
L76210-2RS	50	90	20

## LOOSE BEARINGS FOR BEARING UNITS



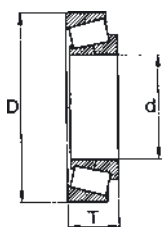
ORDER NUMBER	d mm	D mm	C mm
L16204	20	47	14
L16205	25	52	15
L16206	30	62	16
L16207	35	72	17
L16208	40	80	18
L16209	45	85	19

## LOOSE BEARINGS FOR BEARING UNITS



ORDER NUMBER	d mm	D mm	C mm
LEW205	25	52	15
LEW206	30	62	18
LEW207	35	72	19
LEW208	40	80	21

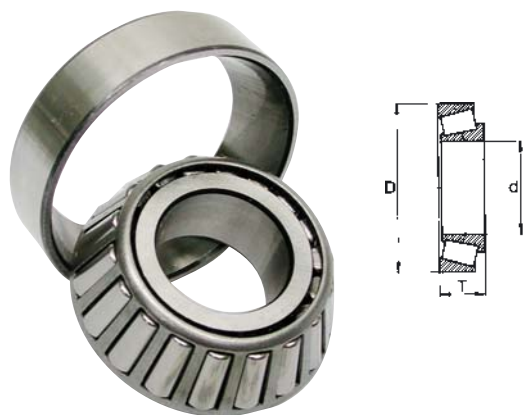
## CONICAL ROLLER BEARINGS



ORDER NUMBER	d mm	D mm	T mm
L30302	15	42	14,25
L30203	17	40	13,25
L32004	20	42	15,00
L30204	20	47	15,25
L30304	20	52	16,25
L32005	25	47	15,00
L30205	25	52	16,25
L32205	25	52	19,25
L33205	25	52	22,00
L30305	25	62	18,25
L32305	25	62	25,25
L32006	30	55	17,00
L30206	30	62	17,25
L32206	30	62	21,25
L30306	30	72	20,75
L32306	30	72	28,75
L32007	35	62	18,00
L30207	35	72	18,25
L32207	35	72	24,25
L30307	35	80	22,75
L32307	35	80	32,75
L32008	40	68	19,00
L30208	40	80	19,75
L32208	40	80	24,75
L30308	40	90	25,25
L32308	40	90	35,25
L32009	45	75	20,00
L30209	45	85	20,75
L32209	45	85	24,75
L30309	45	100	27,25
L32309	45	100	38,25

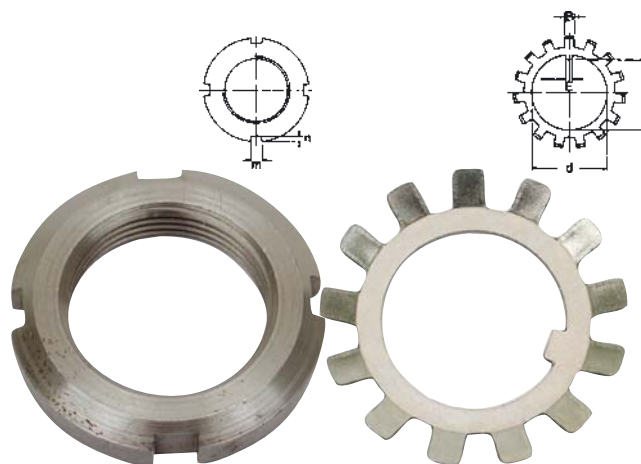
ORDER NUMBER	d mm	D mm	T mm
L32010	50	80	20,00
L30210	50	90	21,75
L32210	50	90	24,75
L30310	50	110	29,25
L32310	50	110	42,25
L32011	55	90	23,00
L30211	55	100	22,75
L32211	55	100	26,75
L30311	55	120	31,50
L32012	60	95	23,00
L30212	60	110	23,75
L32212	60	110	29,75
L30312	60	130	33,50
L32013	65	100	23,00
L33013	65	100	27,00
L30213	65	120	24,75
L32213	65	120	32,75
L32014	70	110	25,00
L30214	70	125	26,25
L32214	70	125	33,25
L32015	75	115	25,00
L30215	75	130	27,25
L32215	75	130	33,25
L32016	80	125	29,00
L30216	80	140	28,75
L32216	80	140	35,25
L32017	85	130	29,00
L30217	85	150	30,50
L32217	85	150	38,50
L32018	90	140	32,00
L30218	90	160	32,50
L32019	95	135	20,00
VPJ2448	100	145	24,00

## CONICAL ROLLER BEARINGS



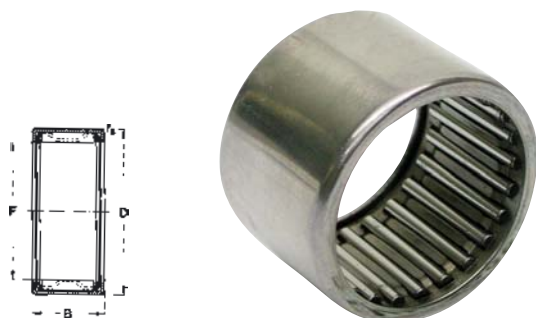
ORDER NUMBER	d mm	D mm	T mm
LM11749-710	17,46	39,88	14,61
LM11949-910	19,05	45,24	16,64
LM72849-810	22,61	47,00	15,50
LL44643-610	25,40	50,29	14,73
LM84548-510	25,40	57,15	19,43
LM44649-610	26,99	50,29	14,73
LM86647-610	28,58	64,29	21,43
LM86649-610	30,16	64,29	21,43
LM48548-510	34,93	65,09	18,29
LM88649-610	34,93	72,23	25,40
LM88648-610	35,72	72,23	25,40
LM501349-310	41,28	73,43	19,59
LK24780-720	41,28	76,20	22,23
LM603049-011	45,24	77,79	19,84
LM806649-610	53,975	88,90	19,05
LK387-382	57,15	98,43	21,95

## SPINNER NUTS AND PLATES



ORDER NO. NUT	SIZE	ORDER NO. PLATE
KM01	12 x 1,0	MB01
KM02	15 x 1,0	MB02
KM03	17 x 1,0	MB03
KM04	20 x 1,0	MB04
KM05	25 x 1,5	MB05
KM06	30 x 1,5	MB06
KM07	35 x 1,5	MB07
KM08	40 x 1,5	MB08
KM09	45 x 1,5	MB09
KM10	50 x 1,5	MB10
KM11	55 x 2,0	MB11
KM12	60 x 2,0	MB12
KM13	65 x 2,0	MB13
KM14	70 x 2,0	MB14
KM15	75 x 2,0	MB15

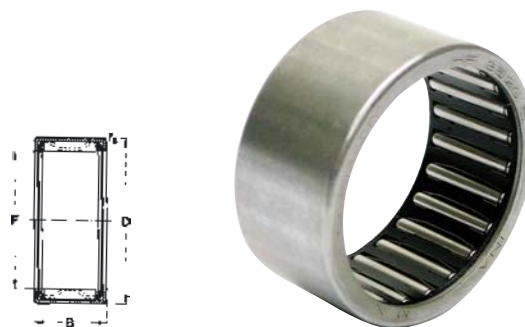
## NEEDLE BEARINGS FOR PLOUGHS



ORDER NUMBER	F mm	D mm	B mm
LHK3026	30	37	26
LHK3520	35	42	20

## BEARING FOR STOKER

- rotates only to other direction



ORDER NUMBER	F mm	D mm	B mm
LHF3520B	35	42	20

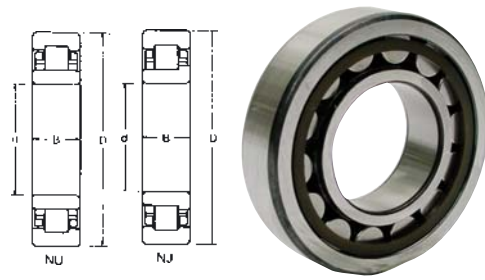


## SPHERICAL BALL BEARINGS



ORDER NUMBER	ORDER NUMBER TAPER BOLT	d mm	D mm	B mm
L1204		20	47	14
L2204		20	47	18
L1205		25	52	15
L2205		25	52	18
L1206		30	62	16
L1306		30	72	19
L1207	L1207K	35	72	17
L2207		35	72	23
L1208	L1208K	40	80	18
L2208		40	80	23
L1308		40	90	23
L1209	L1209K	45	85	19
	L2209K	45	85	23
L1309		45	100	25
L1210		50	90	20
L2210		50	90	23
L1211		55	100	21

## CYLINDER ROLLER BEARINGS

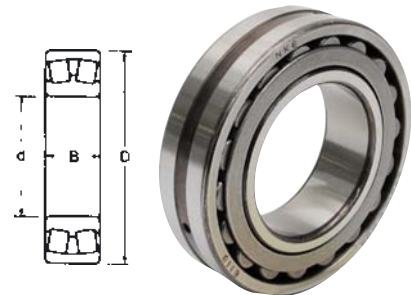


ORDER NUMBER	d mm	D mm	B mm
LNU205	25	52	15
LNU206	30	62	16
LNJ207	35	72	17
LNJ208	40	80	18
LNJ209	45	85	19

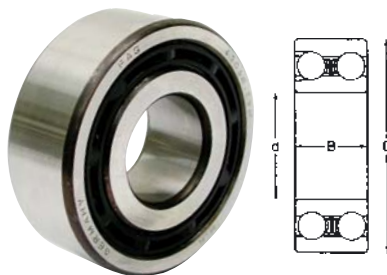
## SPHERICAL ROLLER BEARINGS

### L22210

- d = 50 mm
- D = 90 mm
- B = 23 mm

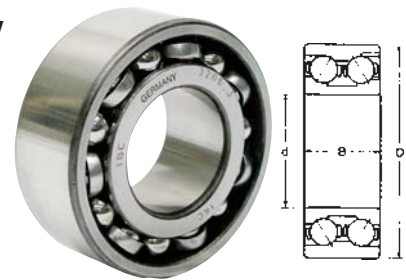


## DOUBLE ROW ROLLER BEARINGS



ORDER NUMBER	d mm	D mm	B mm
L4204	20	47	18
L4304	20	52	21
L4305	25	62	24
L4306	30	72	27

## DOUBLE ROW ANGULAR BALL BEARINGS



ORDER NUMBER	d mm	D mm	B mm
L3202	15	35	15,9
L3203	17	40	17,5
L3204	20	47	20,6
L3205	25	52	20,6
L3206	30	62	23,8
L3207	35	72	27,0
L3209	45	85	30,2
L3309	45	100	39,7
L3311	55	120	49,2
L3312	60	130	54,0