

11



FROM TRACTOR MODEL TO ENGINE TYPE

TRACTOR MODEL	NUMBER OF CYLINDERS	CYLINDER DIAMETER	ENGINE TYPE
UR1			
2011			
2511	2	95	Z2001
3011, 3045	3	95	Z3001
3320			
3321			
3340			
3341			
3511, 3513, 3545	3	95	Z3001
4011			
4320			
4321			
4340			
43421			
4511, 4611	4	95	Z4001
4712, 4718	3	100	Z4701
4911	3	102	Z4901
5011	3	102	Z5001
5045			
5211	3	102	Z5201
5213			
5243			
5245	3	102	Z5201
5320			
5340			
5340H			
5341			
5511, 5611, 5645, 5647, 5711, 5718, 5745, 5748	4	95	Z5501
5911, 5945	4	100	Z5901
6011, 6045	4	100	Z6001
6211, 6245	4	100	Z6201
6320			
6321			
6340			
6341			
6711, 6718, 6745, 6748	4	100	Z6701
6911, 6945	4	102	Z6901
7011, 7045	4	102	Z7001
7045H			
7211, 7245	4	102	Z7201
7245H			
7320T			
7321			
7340T			
7341			
7711			
7711T	4	102	Z7701
7711T			
7745	4	102	Z7701
7745T			
UR2			
8011, 8045	4	110	Z8001
8111, 8145	4	110	Z8401.1 Z8401.134

TRACTOR MODEL	NUMBER OF CYLINDERS	CYLINDER DIAMETER	ENGINE TYPE
8211, 8245			8401.12
9111			
9145			
9211, 9245			8002.13 TURBO
10011			
10045			
10111, 10145	4	110	Z8002.1 Z8002.134
10211, 10245			8002.12 TURBO
11211, 11245			8701.13
12011, 12045	6	110	Z8601
12111, 12145	6	110	Z8701.1
12211, 12245			8701.12
14145			
14245			8602.13 TURBO
16045			
16145	6	110	Z8602.1
16245			8602.12 TURBO
UR3			
7520			
7540			
8520T			
8540T			
8621			
8641			
95209520T			
9540			
9540T			
9621			
9641			
10520T			
10540T			
10641			
11641			
UR4			
8311, 8345			8403
10311, 10345			8004
11311, 11345,			8703
12311, 12345			
14345, 16345			8604
18345			8604.020
URSUS			
1201			U-1201
1204			U-1204
1214			
1222, 1224			Z8701.1
1232, 1233, 1234, 1235			Z8701.12
1252, 1254, 1352, 1354			Z8703
1435			Z8602.12
1552, 1554			Z8604.11
1614, 1634			Z8602.1 TURBO
1635			Z8602.12
1752, 1754			



TRACTOR MODEL	ENGINE TYPE	VALVE		VALVE GUIDE		VALVE SPRING PAKO	VALVE COLLET	
		INLET	EXHAUST	INLET	EXHAUST		INLET	EXHAUST
2 cylinders								
2511	Z2001	VPA1440 950505	VPA1470 950506	VPA2129 950504	VPA2125 69010567	VPA2028 950508	VPA2308 950510	
3 cylinders								
3011, 3045	Z3001	VPA1440 950505	VPA1470 950506	VPA2129 950504	VPA2125 69010567	VPA2028 950508	VPA2308 950510	
3511, 3545 3513	Z3001	VPA1440 950505	VPA1470 950506	VPA2129 950504	VPA2125 69010567	VPA2028 950508	VPA2308 950510	
4712, 4718	Z4701	VPA1440 950505	VPA1470 950506	VPA2129 950504	VPA2125 69010567	VPA2028 950508	VPA2308 950510	
4911	Z4901	VPA1420 69010555	VPA1450 69010554	VPA2125 69010567	VPA2125 69010567	VPA2028 950508	VPA2307 69010559	VPA2307 69010559
5011	Z5001	VPA1420 69010555	VPA1450 69010554	VPA2125 69010567	VPA2125 69010567	VPA2028 950508	VPA2307 69010559	VPA2307 69010559
5211, 5245	Z5201	VPA1420 69010555	VPA1450 69010554	VPA2125 69010567	VPA2125 69010567	VPA2028 950508	VPA2307 69010559	VPA2307 69010559
4 cylinders								
4511, 4611	Z4001	VPA1440 950505	VPA1470 950506	VPA2129 950504	VPA2125 69010567	VPA2028 950508	VPA2308 950510	
5711, 5718 5745, 5748	Z5501	VPA1440 950505	VPA1470 950506	VPA2129 950504	VPA2125 69010567	VPA2028 950508	VPA2308 950510	
5511, 5611 5545, 5516 5645, 5647	Z5501	VPA1440 950505	VPA1470 950506	VPA2129 950504	VPA2125 69010567	VPA2028 950508		
5911, 5945	Z5901	VPA1420 69010555	VPA1450 69010554	VPA2125 69010567	VPA2125 69010567	VPA2028 950508	VPA2307 69010559	VPA2307 69010559
6011, 6045	Z6001	VPA1420 69010555	VPA1450 69010554	VPA2125 69010567	VPA2125 69010567	VPA2028 950508	VPA2307 69010559	VPA2307 69010559
6211, 6245	Z6201	VPA1420 69010555	VPA1450 69010554	VPA2125 69010567	VPA2125 69010567	VPA2028 950508	VPA2307 69010559	VPA2307 69010559
6711, 6718 6745, 6748	Z6701	VPA1440 950505	VPA1470 950506	VPA2129 950504	VPA2125 69010567	VPA2028 950508		
6911, 6945	Z6901	VPA1420 69010555	VPA1450 69010554	VPA2125 69010567	VPA2125 69010567	VPA2028 950508	VPA2307 96010559	VPA2307 96010559
7011, 7045	Z7001	VPA1420 69010555	VPA1450 69010554	VPA2125 69010567	VPA2125 69010567	VPA2028 950508	VPA2307 96010559	VPA2307 96010559
7211, 7245	Z7201	VPA1420 69010555	VPA1450 69010554	VPA2125 69010567	VPA2125 69010567	VPA2028 950508	VPA2307 96010559	VPA2307 96010559
7711, 7745	Z7701	VPA1420 (b) 69010555	VPA1450 (b) 69010554	VPA2125 69010567	VPA2125 69010567	VPA2028 950508	VPA2307 96010559	VPA2307 96010559
8011, 8045 385, 385A	Z8001	VPA1430 80005014	VPA1460 89005902	VPA2126 80005101	VPA2126 80005101		VPA2307 8005903	VPA2307 8005903

Remarks on page I1.03



TRACTOR MODEL	ENGINE TYPE	VALVE		VALVE GUIDE		VALVE COLLET	
		INLET	EXHAUST	INLET	EXHAUST	INLET	EXHAUST
4 cylinders continue							
10111, 10145 1032, 1034 1132, 1134	Z8002.1	VPA1430 80005014	VPA1460 89005902	VPA2127 89005508	VPA2128 89005518	VPA2307 80005903	VPA2307 80005903
10111, 10145 1032, 1034 1132, 1134	Z8002.134			VPA2127 89005508 VPA2216 (c) 89005922	VPA2128 89005518	VPA2307 80005903	VPA2307 80005903
8111, 8145 932, 934 912, 914 914DL, 914DL turbo	Z8401.1	VPA1430 80005014	VPA1460 89005902	VPA2127 89005508 VPA2216 (c) 89005922	VPA2128 89005518	VPA2307 80005903	VPA2307 80005903
8111, 8145 932, 934 914DL, 914DL turbo	Z8401.134			VPA2127 89005508 VPA2216 (c) 89005922	VPA2128 89005518	VPA2307 80005903	VPA2307 80005903
6 cylinders							
12011, 12045 1201, 1204	Z8601	VPA1430 80005014	VPA1460 89005902	VPA2126 89005101	VPA2126 80005101	VPA2307 80005903	VPA2307 80005903
16145 1434, 1634	Z8602.1			VPA2127 89005508 VPA2216 (c) 89005922	VPA2128 89005518	VPA2307 80005903	VPA2307 80005903
1211, 12145 1232, 1234 1222, 1224	Z8701.1	VPA1430 80005014	VPA1460 89005902	VPA2127 89005508 VPA2216 (c) 89005922	VPA2128 89005518	VPA2307 80005903	VPA2307 80005903

b - not for Turbo model
c - inlet valve rod seal



TRACTOR MODEL	ENGINE TYPE	LINER SET (j)	LINER (k)	O-RING (l)	PISTON without rings	RING SET 3 rings (p)	RING SET 4 rings (p)	RING SET 5 rings (p)
2 cylinders								
2511	Z2001	VPB9641			VPB7218 2 x 950117	VPB2920 (b, c) 55010334	VPB4820	VPB4822
3 cylinders								
3011, 3045	Z3001	VPB9641			VPB7218 2 x 950117	VPB2920 (b, c) 55010334	VPB4820	VPB4822
3511, 3545 3513	Z3001	VPB9641			VPB7218 2 x 950117	VPB2920 (b, c) 55010334	VPB4820	VPB4822
4712, 4718	Z4701	VPB9642	VPB1035 67010124	VPB7216 2 x 71010102	VPB2921 (a) 62010303	VPB4823		VPB4827
4911	Z4901	VPB9643	VPB1036 67010153	VPB7216 2 x 71010102	VPB2922 (a) 72010303	VPB4828	VPB4831	
5011	Z5001	VPB9643	VPB1036 67010168	VPB7216 2 x 71010102	VPB2922 (a) 72010303	VPB4828	VPB4831	
5211, 5245	Z5201	VPB9643	VPB1036 67010168	VPB7216 2 x 71010102	VPB2922 (a) 72010303	VPB4828	VPB4831	
4 cylinders								
4511, 4611	Z4001	VPB9641			VPB7218 2 x 950117	VPB2920 (b, c) 55010334	VPB4820	VPB4822
5711, 5718 5745, 5748	Z5501	VPB9641			VPB7218 2 x 950117	VPB2920 (e, b) 55010334	VPB4820	VPB4822
5511, 5545 5516, 5611 5645, 5647	Z5501	VPB9641			VPB7218 2 x 950117	VPB2920 (b, c) 55010334	VPB4820	VPB4822
5911, 5945	Z5901	VPB9642	VPB1035 59010156	VPB7216 2 x 71010102	VPB2921 (a) 62010303	VPB4823		
6011, 6045	Z6001	VPB9642	VPB1035 59010156	VPB7216 2 x 71010102	VPB2921 (a) 62010303	VPB4823		
6211, 6245	Z6201	VPB9642	VPB1035 59010156	VPB7216 2 x 71010102	VPB2921 (a) 62010303	VPB4823		
6711, 6718 6745, 6748	Z6701	VPB9642	VPB1035 67010124	VPB7216 2 x 71010102	VPB2921 (a, f) 62010303	VPB4823		VPB4827
6911, 6945	Z6901	VPB9643	VPB1036 69010153	VPB7216 2 x 71010102	VPB2922 (a) 72010303	VPB4828	VPB4831	
7011, 7045	Z7001	VPB9643	VPB1036 69010168	VPB7216 2 x 71010102	VPB2922 (a) 72010303	VPB4828	VPB4831	
7211, 7245	Z7201	VPB9643	VPB1036 69010168	VPB7216 2 x 71010102	VPB2922 (a) 72010303	VPB4828	VPB4831	
7711, 7745	Z7701		VPB1036 69010168	VPB7216 2 x 71010102	VPB2923 (d, m) LP3318	VPB4828 (n)		
8011, 8045 385, 385A	Z8001	VPB9645 (h)	VPB1037 89002002	VPB7217 2 x 80002003		VPB4832 (h)	VPB4835 (g)	

Remarks on page I1.05



TRACTOR MODEL	ENGINE TYPE	LINER SET (j)	LINER (k)	O-RING (l)	RING SET 3 rings (p)	RING SET 4 rings (p)
4 cylinders continue						
10111, 10145 1032, 1034 1132, 1134	Z8002.1	VPB9646	VPB1037 89002002	VPB7217 2 x 80002003	VPB4833	
10111, 10145 1032, 1034 1132, 1134	Z8002.134	VPB9646	VPB1037 89002002	VPB7217 2 x 80002003	VPB4833	
8111, 8145 932, 934, 912, 914, 914 DL, 914 DL turbo	Z8401.1	VPB9646	VPB1037 89002002	VPB7217 2 x 80002003	VPB4833	
8111, 8145 932, 934, 914 DL, 914 DL turbo	Z8401.134	VPB9646	VPB1037 89002002	VPB7217 2 x 80002003	VPB4833	
6 cylinders						
12011, 12045 1201, 1204	Z8601	VPB9645 (h)	VPB1037 89002002	VPB7217 2 x 80002003	VPB4832 (h)	VPB4835 (g)
16145 1434, 1634	Z8602.1	VPB9646	VPB1037 89002002	VPB7217 2 x 80002003	VPB4833	
12111, 12145 1232, 1234 1222, 1224	Z8701.1	VPB9646	VPB1037 89002002	VPB7217 2 x 80002003	VPB4833	

- a - 3-ring piston (with straight top ring groove)
- b - 4-ring piston
- c - replaces 5-ring piston
- d - 3-ring piston (with cone top ring groove)
- e - 5-ring piston, which have been used in serial no 1001-54271, is replaced now with a new 4-ring piston
- f - 5-ring piston, which have been used in serial no 1001-20197 and 4-ring piston, which have been used from serial no 20198, is replaced now with a new 3-ring piston

- g - is used in earlier Crystal engines
- h - is used in later Crystal engines
- j - includes 1 liner, 1 piston, 1 ring set and 2 pcs o-rings
- k - includes o-rings
- l - 2 o-rings in a package is for one liner
- m - turbo
- n - without turbo
- p - see picture below

RING SETS

	VPB4822	VPB4820	VPB4827	VPB4823	VPB4828	VPB4831	VPB4835	VPB4832	VPB4833
T									
2									
3									
4									
5									



T6029



VPC4734



VPD1028

TRACTOR MODEL	ENGINE TYPE	MAIN BEARING SET			THRUST BEARING SET STD	OIL PUMP
		STD	-0,25 mm	-0,50 mm		
2 cylinders						
2511	Z2001	T6027	T6028A (a)	T6028B (a)	VPC4734	
3 cylinders						
3011, 3045	Z3001	T6027	T6028A (a)	T6028B (a)	VPC4734 (b)	
3511, 3545 3513	Z3001	T6027	T6028A (a)	T6028B (a)	VPC4734	
4712, 4718	Z4701	T6027	T6028A (a)	T6028B (a)	VPC4734	
4911	Z4901	T6027	T6028A (a)	T6028B (a)	VPC4734	
5011	Z5001	T6027	T6028A (a)	T6028B (a)	VPC4734	
5211, 5245	Z5201	T6027	T6028A (a)	T6028B (a)	VPC4734	
4 cylinders						
4511, 4611	Z4001	T6028	T6028A	T6028B	VPC4734	
5711, 5718 5745, 5748	Z5501	T6028	T6028A	T6028B	VPC4734	VPD1028 55010798
5511, 5545 5516, 5611 5645, 5647	Z5501	T6028	T6028A	T6028B	VPC4734	VPD1028 55010798
5911, 5945	Z5901	T6028	T6028A	T6028B	VPC4734	VPD1028 55010798
6011, 6045	Z6001	T6028	T6028A	T6028B	VPC4734	VPD1028 55010798
6211, 6245	Z6201	T6028	T6028A	T6028B	VPC4734	VPD1028 69010734
6711, 6718 6745, 6748	Z6701	T6028	T6028A	T6028B	VPC4734	VPD1028 55010798
6911, 6945	Z6901	T6028	T6028A	T6028B	VPC4734	VPD1028 55010798
7011, 7045	Z7001	T6028	T6028A	T6028B	VPC4734	VPD1028 55010798
7211, 7245	Z7201	T6028	T6028A	T6028B	VPC4734	VPD1028 69010734
7711, 7745	Z7701	T6028	T6028A	T6028B	VPC4734	
8011, 8045 385, 385A	Z8001	T6029	T6029A	T6029B	VPC4737	
10111, 10145 1032, 1034, 1132, 1134	Z8002.1	T6029	T6029A	T6029B	VPC4737	
10111, 10145 1032, 1034, 1132, 1134	Z8002.134	T6030 (c)	T6030A (c)		VPC4737	

Remarks on page 11.07



T6029



VPC4734



VPD1030

TRACTOR MODEL	ENGINE TYPE	MAIN BEARING SET			THRUST BEARING SET STD	OIL PUMP
		STD	-0,25 mm	-0,50 mm		
4 cylinders continue						
8111, 8145 932, 934, 912 914, 914DL, 914DL Turbo	Z8401.1	T6029	T6029A	T6029B	VPC4737	VPD1029 83007019
8111, 8145 932, 934, 914DL, 914DL Turbo	Z8401.134	T6030 (c)	T6030A (c)		VPC4737	
6 cylinders						
12011, 12045 1201, 1204	Z8601	T6030	T6030A		VPC4737	VPD1030 86007019
16145 1434, 1634	Z8602.1	T6030	T6030A		VPC4737	VPD1030 86007019
12111, 12145 1232, 1234 1222, 1224	Z8701.1	T6030	T6030A		VPC4737	VPD1030 86007019

a - use a 4 cylinder set

b - earlier engines with a narrow separator disc = order 2 sets

c - in 4 cylinder engine use 6 cylinder bearing set



VPB7019



T6025

TRACTOR MODEL	ENGINE TYPE	SMALL BUSH END	CONNECTING ROD BEARINGS		
			STD	-0,25 mm	-0,50 mm
2 cylinders					
2511	Z2001	VPB7019 950311	T6025 55010304	T6025A 55010399	T6025B 55010398
3 cylinders					
3011, 3045	Z3001	VPB7019 950311	T6025 55010304	T6025A 55010399	T6025B 55010398
3511, 3545, 3513	Z3001	VPB7019 950311	T6025 55010304	T6025A 55010399	T6025B 55010398
4712, 4718	Z4701	VPB7019 950311	T6025 55010304	T6025A 55010399	T6025B 55010398
4911	Z4901	VPB7019 950311	T6025 55010304	T6025A 55010399	T6025B 55010398
5011	Z5001	VPB7019 950311	T6025 55010304	T6025A 55010399	T6025B 55010398
5211, 5245	Z5201	VPB7019 950311	T6025 55010304	T6025A 55010399	T6025B 55010398
4 cylinders					
4511, 4611	Z4001	VPB7019 950311	T6025 55010304	T6025A 55010399	T6025B 55010398
5711, 5718 5745, 5748	Z5501	VPB7019 950311	T6025 55010304	T6025A 55010399	T6025B 55010398
5511, 5545 5516, 5611 5645, 5647	Z5501	VPB7019 950311	T6025 55010304	T6025A 55010399	T6025B 55010398
5911, 5945	Z5901	VPB7019 950311	T6025 55010304	T6025A 55010399	T6025B 55010398
6011, 6045	Z6001	VPB7019 950311	T6025 55010304	T6025A 55010399	T6025B 55010398
6211, 6245	Z6201	VPB7019 950311	T6025 55010304	T6025A 55010399	T6025B 55010398
6711, 6718 6745, 6748	Z6701	VPB7019 950311	T6025 55010304	T6025A 55010399	T6025B 55010398
6911, 6945	Z6901	VPB7019 950311	T6025 55010304	T6025A 55010399	T6025B 55010398
7011, 7045	Z7001	VPB7019 950311	T6025 55010304	T6025A 55010399	T6025B 55010398
7211, 7245	Z7201	VPB7019 950311	T6025 55010304	T6025A 55010399	T6025B 55010398
7711, 7745	Z7701	VPB7019 950311	T6025 55010304	T6025A 55010399	T6025B 55010398
8011, 8045 385, 385A	Z8001	VPB7018 80003046	T6026 80003033	T6026A 80003028	T6026B 80003008
10111, 10145, 1032 1034, 1132, 1134	Z8002.1	VPB7018 80003046	T6026 80003033	T6026A 80003028	T6026B 80003008



VPB7018



T6026

TRACTOR MODEL	ENGINE TYPE	SMALL END BUSH	CONNECTING ROD BEARINGS		
			STD	-0,25 mm	-0,50 mm
4 cylinders continue					
10111, 10145, 1032 1034, 1132, 1134	Z8002.134	VPB7018 80003046	T6026 80003033	T6026A 80003028	T6026B 80003008
8111, 8145 932, 934, 912, 914 914DL, 914 DL Turbo	Z8401.1	VPB7018 80003046	T6026 80003033	T6026A 80003028	T6026B 80003008
8111, 8145 932, 934, 914DL 914DL Turbo	Z8401.134	VPB7018 80003046	T6026 80003033	T6026A 80003028	T6026B 80003008
6 cylinders					
12011, 12045 1201, 1204	Z8601	VPB7018 80003046	T6026 80003033	T6026A 80003028	T6026B 80003008
16145 1434, 1634	Z8602.1	VPB7018 80003046	T6026 80003033	T6026A 80003028	T6026B 80003008
12111, 12145 1232, 1234, 1222, 1224	Z8701.1	VPB7018 80003046	T6026 80003033	T6026A 80003028	T6026B 80003000



VPA2613



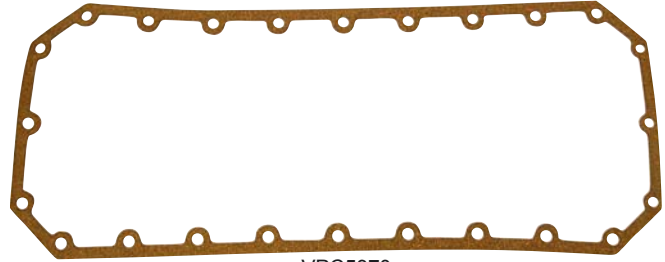
VPC5121



VPC5019



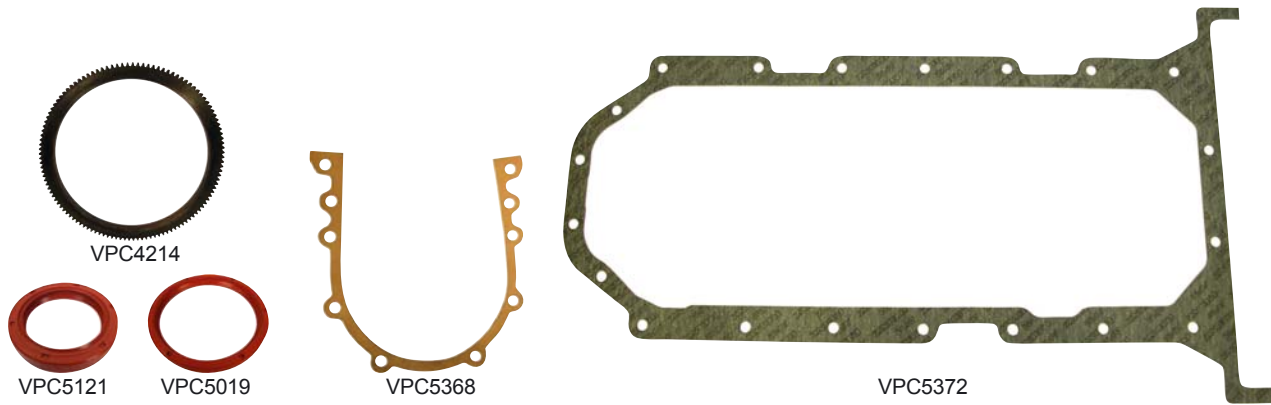
VPC4214



VPC5370

TRACTOR MODEL	ENGINE TYPE	TIMING COVER OIL SEAL	REAR MAIN OIL SEAL	RING GEAR	OIL SUMP GASKET	CAM ROD
2 cylinders 2511	Z2001	(b)	(c)	VPC4214 69010286		VPA2613 (a) 950406
3 cylinders 3011, 3045	Z3001	(b)	VPC5019 (c, f) 55010221	VPC4214 950316		VPA2613 (a) 950406
3511, 3545 3513	Z3001	(b)	VPC5019 (c, f) 55010221	VPC4214 950316		VPA2613 (a) 950406
4712, 4718	Z4701	VPC5121 (e) 974240	VPC5019 (l) 55010221 VPC5020 (m) LP3115	VPC4214 950316	VPC5369 47010244	VPA2613 950406
4911	Z4901	VPC5121 (e) 974240	VPC5019 (l) 55010221 VPC5020 (m) LP3115	VPC4214 950316	VPC5369 47010244	VPA2613 950406
5011	Z5001	VPC5121 (e) 974240	VPC5019 (l) 55010221 VPC5020 (m) LP3115	VPC4214 950316	VPC5369 47010244	VPA2613 950406
5211, 5245	Z5201	VPC5121 (e) 974240	VPC5019 (l) 55010221 VPC5020 (m) LP3115	VPC4214 950316	VPC5369 47010244	VPA2613 950406
4 cylinders 4511, 4611	Z4001	(b)	VPC5019 (c, f) 55010221	VPC4214 950316		VPA2613 (a) 950406
5711, 5718 5745, 5748	Z5501	VPC5121 (e, h) 974240	VPC5019 (l) 55010221 VPC5020 (m) LP3115	VPC4214 950316	VPC5370 55010202	VPA2613 (a) 950406
5511, 5545 5516, 5611 5645, 5647	Z5501		VPC5019 (c, f) 55010221	VPC4214 950316	VPC5370 55010202	VPA2613 (a) 950406
5911, 5945	Z5901	VPC5121 (e) 974240	VPC5019 (l) 55010221 VPC5020 (m) LP3115	VPC4214 950316	VPC5370 55010246	VPA2613 950406
6011, 6045	Z6001	VPC5121 (e) 974240	VPC5019 (l) 55010221 VPC5020 (m) LP3115	VPC4214 950316	VPC5370 55010246	VPA2613 950406
6211, 6245	Z6201	VPC5121 (e) 974240	VPC5019 (l) 55010221 VPC5020 (m) LP3115	VPC4214 950316	VPC5370 55010246	VPA2613 950406
6711, 6718 6745, 6748	Z6701	VPC5121 (e, k) 974240	VPC5019 (l) 55010221 VPC5020 (m) LP3115	VPC4214 950316	VPC5370 55010202	VPA2613 950406
6911, 6945	Z6901	VPC5121 (e) 974240	VPC5019 (l) 55010221 VPC5020 (m) LP3115	VPC4214 950316	VPC5370 55010246	VPA2613 950406
7011, 7045	Z7001	VPC5121 (e) 974240	VPC5019 (l) 55010221 VPC5020 (m) LP3115	VPC4214 950316	VPC5370 55010246	VPA2613 950406
7211, 7245	Z7201	VPC5121 (e) 974240	VPC5019 (l) 55010221 VPC5020 (m) LP3115	VPC4214 950316	VPC5370 55010246	VPA2613 950406

Remarks on page I1.11



TRACTOR MODEL	ENGINE TYPE	TIMING COVER OIL SEAL	REAR MAIN OIL SEAL	REAR MAIN GASKET	RING GEAR	OIL SUMP GASKET
7711, 7745	Z7701	VPC5121 (e) 974240	VPC5019 (l) 55010221 VPC5020 (m) LP3115		VPC4214 950316	VPC5370 67010246
8011, 8045 385, 385A	Z8001	VPC5121 (n) 974240 VPC5119 (p) 974143	VPC5018 (g) 86002901	VPC5368 80002081	VPC4213 80003062	VPC5372 80002083
10111, 10145 1032, 1034 1132, 1134	Z8002.1	VPC5121 (n) 974240 VPC5119 974143	VPC5018 78002006	VPC5368 80002081	VPC4213 80003062	VPC5372 80002119
10111, 10145 1032, 1034 1132, 1134	Z8002.134	VPC5121 (n) 974240 VPC5119 974143	VPC5018 78002006	VPC5368 80002081	VPC4213 80003062	VPC5372 80002119
8111, 8145 932, 934 912, 914 914DL, 914DL turbo	Z8401.1	VPC5121 (n) 974240 VPC5119 974143	VPC5018 78002006	VPC5368 80002081	VPC4213 80003062	VPC5372 80002119
8111, 8145 932, 934 914DL 914DL turbo	Z8401.134	VPC5121 (n) 974240 VPC5119 974143	VPC5018 78002006	VPC5368 80002081	VPC4213 80003062	VPC5372 80002119
6 cylinders 12011, 12045 1201, 1204	Z8601	VPC5121 (n) 974240 VPC5119 (p) 974143	VPC5018 86002901	VPC5368 80002081	VPC4213 80003062	VPC5373 80002002
16145 1434, 1634	Z8602.1	VPC5121 (n) 974240 VPC5119 (p) 974143	VPC5018 78002006	VPC5368 80002081	VPC4213 80003062	VPC5373 80002002
12111, 12145 1232, 1234 1222, 1224	Z8701.1	VPC5121 (n) 974240 VPC5119 (p) 974143	VPC5018 78002006	VPC5368 80002081	VPC4213 80003062	VPC5373 80002002

a - not for inlet valves when radiator is used
 b, c with oil thrower
 e - 52 x 72 x 12
 f - only for early type engines
 g - 1081 → 54488
 h - 54489 →
 j - 1001 → 19983

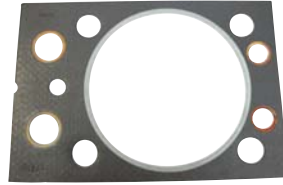
k - 19984 →
 l - normal type
 m - alternative with metal cover
 n - double lip seal
 p - alternative * 1 lip seal
 q - lip seal 8/78 →



VPA4113



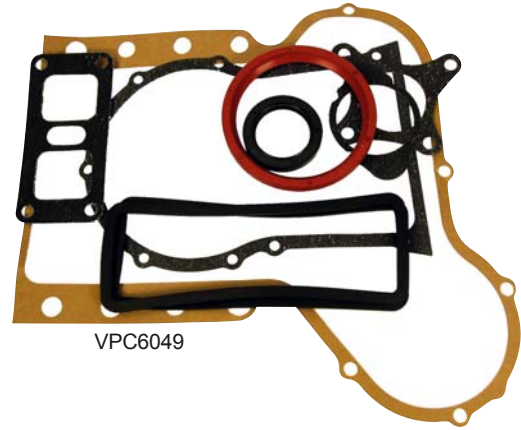
VPA4532



VPA4338



VPC4621

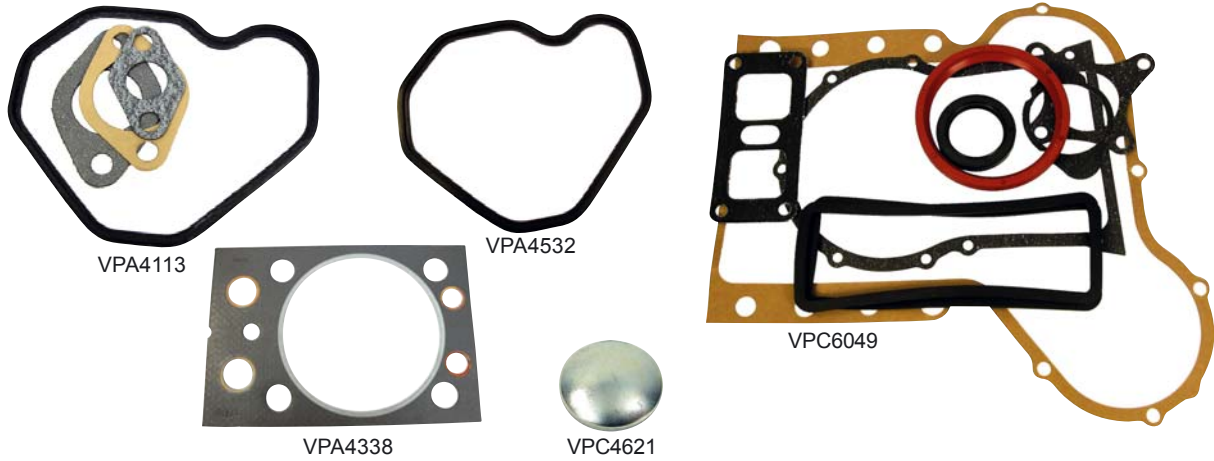


VPC6049

TRACTOR MODEL	ENGINE TYPE	TOP GASKET SET (a)	CYL. HEAD GASKET 1,2 mm	CYL. HEAD GASKET 1,5 mm	ROCKER COVER GASKET	BOTTOM GASKET SET	CORE PLUG
2 cylinders 2511	Z2001	VPA4113 (d)	VPA4337 (b) 55010516		VPA4532 (d) 55010527		VPC4621 (c) 972311
3 cylinders 3011, 3045	Z3001	VPA4113 (e)	VPA4337 (b) 55010516		VPA4532 (e) 55010527	VPC6044 (j)	VPC4621 (c) 972311
3511, 3545 3513	Z3001	VPA4113 (e)	VPA4337 (b) 55010516		VPA4532 (e) 55010527	VPC6044 (j)	VPC4621 (c) 972311
4712, 4718	Z4701	VPA4113 (e)	VPA4338 (b) 69010571	VPA4339 (b) 69010572	VPA4532 (e) 55010527		VPC4621 (c) 972311
4911	Z4901	VPA4113 (e)	VPA4338 (b) 69010571	VPA4339 (b) 69010572	VPA4532 (e) 55010527		VPC4621 (c) 972311
5011	Z5001	VPA4113 (e)	VPA4338 (b) 69010571	VPA4339 (b) 69010572	VPA4532 (e) 55010527		VPC4621 (c) 972311
5211, 5245	Z5201	VPA4113 (e)	VPA4338 (b) 69010571	VPA4339 (b) 69010572	VPA4532 (e) 55010527		VPC4621 (c) 972311
4 cylinders 4511, 4611	Z4001	VPA4113 (f)	VPA4337 (b) 55010516		VPA4532 (f) 55010527		VPC4621 (c) 972311
5711, 5718 5745, 5748	Z5501	VPA4113 (f)	VPA4337 (b) 55010516		VPA4532 (f) 55010527		VPC4621 (c) 972311
5511, 5545 5516, 5611 5645, 5647	Z5501	VPA4113 (f)	VPA4337 (b) 55010516		VPA4532 (f) 55010527		VPC4621 (c) 972311
5911, 5945	Z5901	VPA4113 (f)	VPA4338 (b) 69010571	VPA4339 (b) 69010572	VPA4532 (f) 55010527	VPC6049	VPC4621 (c) 972311
6011, 6045	Z6001	VPA4113 (f)	VPA4338 (b) 69010571	VPA4339 (b) 69010572	VPA4532 (f) 55010527	VPC6049	VPC4621 (c) 972311
6211, 6245	Z6201	VPA4113 (f)	VPA4338 (b) 69010571	VPA4339 (b) 69010572	VPA4532 (f) 55010527	VPC6049	VPC4621 (c) 972311
6711, 6718 6745, 6748	Z6701	VPA4113 (f)	VPA4338 (b) 69010571	VPA4339 (b) 69010572	VPA4532 (f) 55010527	VPC6049	VPC4621 (c) 972311
6911, 6945	Z6901	VPA4113 (f)	VPA4338 (b) 69010571	VPA4339 (b) 69010572	VPA4532 (f) 55010527	VPC6049	VPC4621 (c) 972311
7011, 7045	Z7001	VPA4113 (f)	VPA4338 (b) 69010571	VPA4339 (b) 69010572	VPA4532 (f) 55010527	VPC6049	VPC4621 (c) 972311
7211, 7245	Z7201	VPA4113 (f)	VPA4338 (b) 69010571	VPA4339 (b) 69010572	VPA4532 (f) 55010527	VPC6049	VPC4621 (c) 972311
7711, 7745	Z7701	VPA4113 (f)	VPA4338 (b,g) 69010571	VPA4339 (b,g) 69010572 VPA4348 (b,h)	VPA4532 (f) 55010527	VPC6049 (l)	VPC4621 (c) 972311

- a - does not include thermostat or cylinder head gaskets
- b - piston overflow max. 0,5 mm → cylinder head gasket 1,2 mm
- i - piston overflow over 0,5 mm → cylinder head gasket 1,5 mm
- c - Ø 30 mm
- d - 2 pcs/tractor
- e - 3 pcs/tractor
- f - 4 pcs/tractor

- g - non turbo models
- h - turbo models
- j - does not include lip seals
- k - includes gaskets for power steering models
- l - includes turbo mounting gaskets
- m - includes o-rings for engine balancer unit



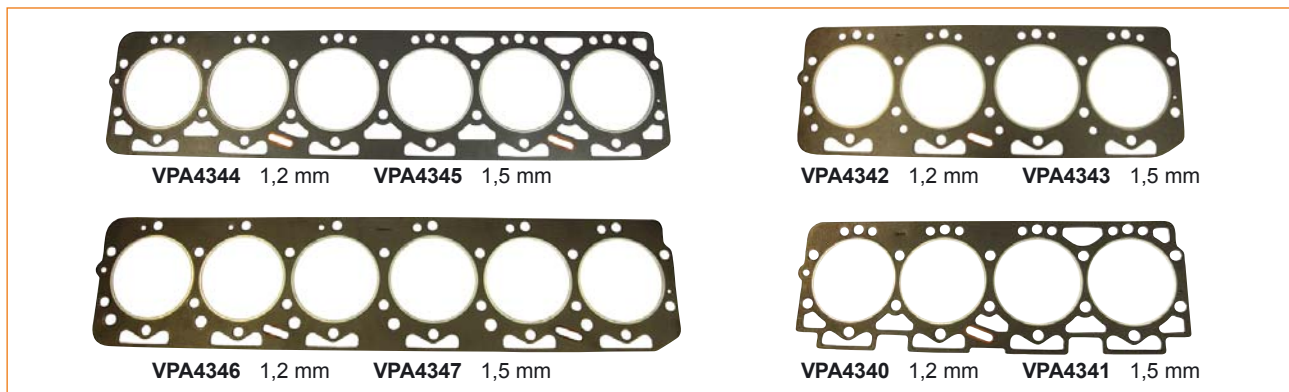
TRACTOR MODEL	ENGINE TYPE	TOP GASKET SET ^(a)	CYL. HEAD GASKET 1,2 mm	CYL. HEAD GASKET 1,5 mm	ROCKER COVER GASKET	BOTTOM GASKET SET	CORE PLUG
4 cylinders 8011, 8045 385, 385A	Z8001	VPA4114	VPA4340 ^(b) 83005904	VPA4341 ⁽ⁱ⁾ 83005906	VPA4533 80005071	VPC6050	VPC4621 ^(c) 972311
10111, 10145 1032, 1034, 1132, 1134	Z8002.1	VPA4115 ^(l)	VPA4342 ^(b) 83005920	VPA4343 ⁽ⁱ⁾ 83005921	VPA4533 80005071	VPC6050	VPC4621 ^(c) 972311
10111, 10145 1032, 1034, 1132, 1134	Z8002.134	VPA4115 ^(l)	VPA4342 ^(b) 83005920	VPA4343 ⁽ⁱ⁾ 83005921	VPA4533 80005071	VPC6050 ^(m)	VPC4621 ^(c) 972311
8111, 8145 932, 934, 912, 914, 914 DL, 914DL Turbo	Z8401.1	VPA4115	VPA4342 ^(b) 83005920	VPA4343 ⁽ⁱ⁾ 83005921	VPA4533 80005071	VPC6050	VPC4621 ^(c) 972311
8111, 8145 932, 934, 914 DL, 914DL turbo	Z8401.134	VPA4115	VPA4342 ^(b) 83005920	VPA4343 ⁽ⁱ⁾ 83005921	VPA4533 80005071	VPC6050 ^(m)	VPC4621 ^(c) 972311
6 cylinders 12011, 12045 1201, 1204	Z8601		VPA4344 ^(b) 89005901	VPA4345 ⁽ⁱ⁾ 83005906	VPA4534 ^(d) 86005004		VPC4621 ^(c) 972311
16145 1434, 1634	Z8602.1	VPA4117 ^(l)	VPA4346 ^(b) 89005920	VPA4347 ⁽ⁱ⁾ 83005921	VPA4534 ^(d) 86005004		VPC4621 ^(c) 972311
12111, 12145 1232, 1234, 1222, 1224	Z8701,1	VPA4117	VPA4346 ^(b) 89005920	VPA4347 ⁽ⁱ⁾ 83005921	VPA4534 ^(d) 86005004		VPC4621 ^(c) 972311

- a - does not include thermostat or cylinder head gaskets
- b - piston overflow max. 0,35 mm → cylinder head gasket 1,2 mm
- i - piston overflow over 0,35 mm → cylinder head gasket 1,5 mm
- c - Ø 30 mm
- d - 2 pcs/tractor
- j - does not include lip seals
- l - includes turbo mounting gaskets
- m - includes o-rings for engine balancer unit

Note!

Engines made after year 1986 the original cylinder head gasket thickness is mentioned on engine type plate.

CYLINDER HEAD GASKET MODELS





PICTURE	DESCRIPTION	ORDER NUMBER	SUITABILITIES
1	FUEL LIFT PUMP - 3-bolt fixing	VPD3034 933201	2011, 2511, 3011, 3045, 3511, 3513, 3545, 4011, 4511, 4611, 4712, 4718, 4911, 5011, 5511, 5545, 5516, 5611, 5645, 5647, 5711, 5718, 5745, 5748, 5911, 5945, 6011, 6045, 6711, 6718, 6745, 6748, 6911, 6945, 7011, 7045
2	FUEL LIFT PUMP - 2-bolt fixing	VPD3032 933272 933290 93009200 93009701	385, 385A, 912, 914, 914DL, 914DL TURBO, 932, 934, 1032, 1034, 1132, 1134, 1201, 1204, 1222, 1224, 1232, 1234, 1434, 1634, 3320, 3321, 3340, 3341, 4320, 4321, 4340, 4341, 5211, 5245, 5320, 5321, 5340, 5340H, 5341, 6211, 6245, 6320, 6321, 6340, 6341, 6911, 6945, 7211, 7245, 7245H, 7320, 7321, 7340, 7341, 7711, 7745, 8011, 8045, 8111, 8145, 8211, 8245, 9111, 9145, 9211, 9245, 10011, 10045, 10111, 10145, 10211, 10245, 11211, 11245, 12011, 12045, 12111, 12145, 12211, 12245, 14145, 14245, 16045, 16145, 16245
3	HAND PRIMER PUMP	VPD3299 93009209 930616 933260	same suitabilities as in pumps VPD3034 and VPD3032
4	FUEL TAP	VPD4023 955211	2511, 3011, 3045, 3511, 3545, 3513, 4712, 4718, 4911, 4511, 4611, 5711, 5718, 5745, 5748, 5511, 5545, 5516, 5611, 5645, 5647, 5911, 5945, 6711, 6718, 6745, 6748, 6911, 6945
5	FUEL TANK MOUNTING BUSH - thread M8	VPD4506 55115205 67115205	385, 385A, 1201, 12011, 12045, 1204, 2511, 3320, 3321, 3340, 3341, 3511, 3513, 3545, 4320, 4321, 4340, 4341, 4511, 4611, 4712, 4718, 4911, 5011, 5211, 5245, 5320, 5321, 5340, 5341, 5511, 5516, 5545, 5611, 5645, 5647, 5711, 5718, 5745, 5748, 5911, 5945, 6011, 6045, 6211, 6245, 6320, 6321, 6340, 6341, 6711, 6718, 6745, 6748, 6911, 6945, 7011, 7045, 7211, 7245, 7245H, 7320, 7321, 7340, 7341, 7711, 7745, 8011, 8045
5	FUEL TANK MOUNTING BUSH - thread M10	VPD4507 80311380	912, 914, 914DL, 914DL TURBO, 932, 934, 1032, 1034, 1132, 1134, 1201, 1204, 1222, 1224, 1232, 1234, 1434, 1634, 8011, 8045, 8111, 8145, 8211, 8245, 9111, 9145, 9211, 9245, 10011, 10045, 10111, 10145, 10211, 10245, 12011, 12045, 12111, 12145, 12211, 12245, 14145, 14245, 16045, 16145, 16245



**7 good reasons
to change new nozzles:**

1. saves fuel
2. engine's longer service life
3. cleaner exhaust
4. more power
5. higher torque
6. better start-up
7. smoother running



SD74017

DESCRIPTION	ORDER NUMBER	SUITABILITIES
NOZZLE	SD74011 DOP150S525.1402	10111, 10145, 1032, 1034, 1132, 1134 (Z8002.1), 12011, 12045, 1201, 1204 (Z8601), 16145, 1434, 1634 (Z8602.1), 12111, 12145, 1232, 1234, 1222, 1224 (Z8701.1), 8011, 8045, 385, 385A (Z8001), 10111, 10145, 1032, 1034, 1132, 1134 (Z8002.134), 8111, 8145, 932, 934, 914DL, 914DL TURBO (Z8401.1, Z8401.134), 912, 914 (Z8401.1), 2511, 3511, 4511, 5511, 5545, 5611, 5645, 5647, 4712, 4718, 5711, 5718, 5745, 5748, 2011, 3011, 4011, 10011, 10045, 16045
NOZZLE	SD74017 DOP1605625-4343	3011, 3045, 3511, 3545, 3513 (Z3001), 4712, 4718 (Z4701), 4511, 4611 (Z4001), 5711, 5718, 5745, 5748 (Z5501), 4911 (Z4901), 5011 (Z5001), 5211, 5245 (Z5201), 5511, 5545, 5516, 5611, 5645, 5647 (Z5501), 5911, 5945 (Z5901), 6011, 6045 (Z6001), 6211, 6245 (Z6201), 6711, 6718, 6745, 6748, 6911, 6945 (Z6701), 7011, 7045 (Z7001), 7211, 7245 (Z7201), 7711, 7745 (Z7701), 2011, 2511, 3321, 3341, 4011, 4321, 4341, 5321, 5341, 6321, 6341, 7321, 7341
NOZZLE	SD740155 DOP150S535-1417	CRYSTAL UR2 TURBO, URSUS TURBO, 8011, 8045, 8111, 8145, 10111, 10145, 12011, 12045, 12111, 12145, 16145, 3320, 3321, 3340, 3341, 4320, 4321, 4340, 4341, 4911, 5011, 5211, 5245, 5320, 5340, 5340H, 5911, 5945, 6011, 6045, 6211, 6245, 6320, 6321, 6340, 6341, 6911, 6945, 7011, 7045, 7045H, 7211, 7245, 7245H, 7320, 7321, 7340, 7341, 7711, 7711T, 7745, 7745T, 8211, 8245, 9111, 9145, 9211, 9245, 10011, 10045, 10211, 10245, 11211, 11245, 12211, 12245, 14145, 14245, 16045, 16245



TRACTOR MODEL	ENGINE TYPE	WATER PUMP WITH PULLEY	WATER PUMP WITHOUT PULLEY	WATER PUMP REPAIR KIT	FAN BELT	THERMOSTAT
2 cylinders 2511	Z2001	VPE1040 (k) 30010697		VPE2047 (c)	VPE6068 974312	
3 cylinders 3011, 3045	Z3001	VPE1040 (k, l) 30010697		VPE2047 (c)		
3511, 3545 3513	Z3001	VPE1040 (k) 30010697		VPE2047 (c)	VPE6068 974312	
4712, 4718	Z4701	VPE1040 (k) 30010697		VPE2047 (c)	VPE6068 974312	
4911	Z4901	VPE1043 (k) 69010651		VPE2047 (c)	VPE6068 974312	VPE3416 69011348
5011	Z5001	VPE1043 (a, k) 69010651 VPE1044 (b, k) 69010656	VPE1042 (b) 62010615	VPE2047 (c) VPE2046 (b, d) VPE2048 (b, e)	VPE6068 974312	VPE3416 69011348 70011316
5211, 5245	Z5201	VPE1044 (k) 69010656	VPE1042 62010615	VPE2047 (c) VPE2046 (d) VPE2048 (e)	VPE6068 974312	VPE3416 70011316
4 cylinders 4511, 4611	Z4001	VPE1040 (k) 30010697		VPE2047 (c)	VPE6068 974312	
5711, 5718 5745, 5748	Z5501	VPE1041 (k) 55010697		VPE2047 (c)	VPE6068 974312	VPE3416 69011348
5511, 5545 5516, 5611 5645, 5647	Z5501	VPE1041 (k) 55010697		VPE2047 (c)	VPE6068 974312	VPE3416 69011348
5911, 5945	Z5901	VPE1043 (k) 69010651		VPE2047 (c)	VPE6068 974312	VPE3416 69011348
6011, 6045	Z6001	VPE1043 (f, k) 69010651 VPE1044 (g, k) 69010656	VPE1042 (g) 62010615	VPE2047 (c) VPE2046 (g, d) VPE2048 (g, e)	VPE6068 974312	VPE3416 69011348 70011316
6211, 6245	Z6201	VPE1044 (k) 69010656	VPE1042 62010615	VPE2047 (c) VPE2046 (d) VPE2048 (e)	VPE6068 974312	VPE3416 70011316
6711, 6718 6745, 6748	Z6701	VPE1041 (k) 55010697		VPE2047 (c)	VPE6068 974312	VPE3416 69011348
6911, 6945	Z6901	VPE1043 (k) 69010651		VPE2047 (c)	VPE6068 974312	VPE3416 69011348
7011, 7045	Z7001	VPE1043 (h, k) 69010651 VPE1044 (j, k) 69010656	VPE1042 (j) 62010615	VPE2047 (c) VPE2046 (d, j) VPE2048 (e, j)	VPE6068 974312	VPE3416 70011316

Remarks on page 11.17



TRACTOR MODEL	ENGINE TYPE	WATER PUMP WITH PULLEY	WATER PUMP WITHOUT PULLEY	WATER PUMP REPAIR KIT	COMPRESSOR BELT	FAN BELT	THERMOSTAT
4 cylinders continue 7211, 7245	Z7201	VPE1044 (k) 69010656	VPE1042 62010615	VPE2047 (c) VPE2046 (d) VPE2048 (c)		VPE6068 974312	VPE3416 70011316
	7711, 7745	Z7701	VPE1042 (p) 62010615	VPE2046 (d) VPE2048 (e)		VPE6068 974312	VPE3416 70011316
8011, 8045 385, 385A	Z8001				VPE6067 (n)	VPE6069 80013903	VPE3416 80005902
10111, 10145 1032, 1034 1132, 1134	Z8002.1				VPE6067 (n)	VPE6069 (m) 80013903	VPE3416 80005904
10111, 10145 1032, 1034 1132, 1134	Z8002.134				VPE6067 (n)	VPE6069 (m) 80013903	VPE3416 80005904
8111, 8145 932, 934, 912, 914 914DL, 914DL Turbo	Z8401.1				VPE6067 (n)	VPE6069 (m) 80013903	VPE3416 80005904
8111, 8145 932, 934, 914DL, 914DL Turbo	Z8401.134				VPE6067 (n)	VPE6069 (m) 80013903	VPE3416 80005904
6 cylinders 12011, 12045 1201, 1204	Z8601				VPE6067 (n)	VPE6069 (m) 80013903	VPE3416 80005902
16145 1434, 1634	Z8602.1				VPE6067 (n)	VPE6069 (m) 80013903	VPE3416 80005904
12111, 12145 1232, 1234 1222, 1224	Z8701.1				VPE6067 (n)	VPE6069 (m) 80013903	VPE3416 80005904

a - →Z5001, 10352

b - Z5001, 10353→

c - repair kit for VPE1040, VPE1041, VPE1043, VPE1044, 55010697, 69010651, 30010697, 30010037, 40010021, 40010697, 49010651, 69010656, 69010653 pumps

d - repair kit for VPE1042, 62010615 pumps

e - repair kit for 70010675, 70010695 pumps

f - →Z6001, 8850, one hose outlet

g - Z6001, 8851→, two hose outlets

h - →Z7001, 18402, one hose outlet

j - Z7001, 18403→, two hose outlets

k - with grease nipple

l - not for early models with twin belt pulley

m - for models with single groove belt pulley

n - with compressor 2 pcs/tractor

p - not for later Turbo models



TRACTOR MODEL	ENGINE TYPE	RADIATOR CAP	TOP HOSE	BOTTOM HOSE	BYBASS HOSE	WATER PUMP HOSE
2 cylinders 2511	Z2001	T4030 (a) 972501	VPE4180 70011304	VPE4176 951306	VPE4183 951313	VPE4172 951312
3 cylinders 3011, 3045	Z3001	T4030 (a) 972501	VPE4180 70011304	VPE4176 951306	VPE4183 951313	VPE4172 951312
3511, 3545 3513	Z3001	T4030 (a) 972501	VPE4180 70011304	VPE4176 951306	VPE4183 951313	VPE4172 951312
4712, 4718	Z4701	T4030 972501	VPE4180 70011304	VPE4176 951306	VPE4183 951313	VPE4172 951312
4911	Z4901	T4030 972501	VPE4179 55011312	VPE4176 55011310		
5011	Z5001	T4030 972501	VPE4179 (b) 55011312 VPE4180 (c) 70011304	VPE4176 70011315	VPE4162 (c) 70011306	VPE4172 (c) 70011307
5211, 5245	Z5201	T4030 (n) 972501	VPE4180 70011304	VPE4176 72013210	VPE4162 70011306	VPE4172 70011307
4 cylinders 4511, 4611	Z4001	T4030 (a) 972501	VPE4180 70011304	VPE4176 951306	VPE4183 951313	VPE4172 951312
5711, 5718 5745, 5748	Z5501	T4030 972501	VPE4179 55011312	VPE4176 55011310		
5511, 5545 5516, 5611 5645, 5647	Z5501	T4030 972501	VPE4179 55011312	VPE4176 55011310		
5911, 5945	Z5901	T4030 972501	VPE4179 55011312	VPE4176 55011310		
6011, 6045	Z6001	T4030 972501	VPE4179 (d) 55011312 VPE4180 (e) 70011304	VPE4176 70011315	VPE4162 (e) 70011306	VPE4172 (e) 70011307
6211, 6245	Z6201	T4030 (n) 972501	VPE4180 70011304	VPE4176 72011310	VPE4162 70011306	VPE4172 70011307
6711, 6718 6745, 6748	Z6701	T4030 972501	VPE4179 55011312	VPE4176 55011310		
6911, 6945 6745, 6748	Z6901	T4030 972501	VPE4179 55011312	VPE4176 55011310		
7011, 7045	Z7001	T4030 972501	VPE4179 (f) 55011312 VPE4180 (g) 70011304	VPE4176 55011310	VPE4162 (g) 70011306	VPE4172 (g) 70011307
7211, 7245	Z7201	T4030 (n) 972501	VPE4180 70011304	VPE4176 72011310	VPE4162 70011306	VPE4172 70011307
7711, 7745	Z7701	T4030 (n) 972501	VPE4180 70011304	VPE4176 72011310	VPE4162 70011306	VPE4172 70011307

Remarks on page 11.19



TRACTOR MODEL	ENGINE TYPE	RADIATOR CAP	TOP HOSE	BOTTOM HOSE	WATER PUMP HOSE
4 cylinders continue 8011, 8045 385, 385A	Z8001	T4030 972501	VPE4181 (j) 80013004 VPE4182 (k) 86013023	VPE4177 (l) 80013011	VPE4173 (j, m) 80013005 VPE4174 (k, m) 89013002
10111, 10145 1032, 1034 1132, 1134	Z8002.1	T4030 972501	VPE4182 86013023		VPE4174 (m) 89013002
10111, 10145 1032, 1034 1132, 1134	Z8002.134	T4030 972501	VPE4182 86013023		VPE4174 (m) 89013002
8111, 8145 932, 934, 912, 914 914DL, 914DL Turbo	Z8401.1	T4030 972501	VPE4182 86013023	VPE4177 (l) 83013011	VPE4174 (m) 89013002
8111, 8145 932, 934 914DL, 914DL Turbo	Z8401.134	T4030 972501	VPE4182 86013023	VPE4177 (l) 83013011	VPE4174 (m) 89013002
6 cylinders 12011, 12045 1201, 1204	Z8601	T4030 972501	VPE4182 86013023	VPE4178 (l) 86013024	VPE4173 (j, m) 80013005 VPE4174 (k, m) 89013002
16145 1434, 1634	Z8602.1	T4030 972501	VPE4181 80013004	VPE4178 (l) 86013024	VPE4174 (m) 89013002
12111, 12145 1232, 1234 1222, 1224	Z8701.1	T4030 972501	VPE4181 80013004	VPE4178 (l) 86013024	VPE4174 (m) 89013002

- a - models with pressure cap
- b - →Z5001, 10352
- c - Z5001, 10353→
- d - →Z6001, 8850
- e - Z6001, 8851→
- f - →Z7001, 18402
- g - Z7001, 18403→
- j - earlier Crystal models
- k - later Crystal models
- l - first part from radiator to elbow
- m - second part from elbow to water pump
- n - models with Windhoff radiator



ZETOR, URSUS EXHAUST PIPES AND PARTS

08.01.2007



TRACTOR MODEL	ENGINE TYPE	EXHAUST PIPE	ELBOW GASKET	WEATHER CAP	MANIFOLD GASKET
2 cylinders 2511	Z2001	VPE8061 (a) LP3068	VPE3989 951403	VLD2051 (a) 959068	VPE3993 (b) 55010510
3 cylinders 3011, 3045	Z3001	VPE8061 (a) LP3068	VPE3989 951403	VLD2051 (a) 959068	VPE3993 (c) 55010510
3511, 3545 3513	Z3001	VPE8061 (a) LP3068	VPE3989 951403	VLD2051 (a) 959068	VPE3993 (c) 55010510
4712, 4718	Z4701	VPE8061 (a) LP3068	VPE3989 951403	VLD2051 (a) 959068	VPE3993 (c) 55010510
4911	Z4901	VPE8061 69011403	VPE3989 951403	VLD2051 (a) 959068	VPE3993 (c) 55010510
5011	Z5001	VPE8063 (f) 70011423	VPE3995 (g) 69011419 VPE3996 (h) 70011402	VLD2051 (a) 959068	VPE3993 (c) 55010510
5211, 5245	Z5201	VPE8063 (f) 70011423	VPE3995 (g) 69011419 VPE3996 (h) 70011402	VLD2051 (a) 959068	VPE3993 (c) 55010510
4 cylinders 4511, 4611	Z4001	VPE8061 (a) LP3068	VPE3989 951403	VLD2051 (a) 959068	VPE3993 (d) 55010510
5711, 5718 5745, 5748	Z5501	VPE8061 (a) LP3068	VPE3989 951403	VLD2051 (a) 959068	VPE3993 (d) 55010510
5511, 5545 5516, 5611 5645, 5647	Z5501	VPE8061 (a) LP3068	VPE3989 951403	VLD2051 (a) 959068	VPE3993 (d) 55010510
5911, 5945	Z5901	VPE8061 69011403	VPE3989 951403	VLD2051 (a) 959068	VPE3993 (d) 55010510
6011, 6045	Z6001	VPE8063 (f) 70011423	VPE3995 (g) 69011419 VPE3996 (h) 70011402	VLD2057 (a) 70011430	VPE3993 (d) 55010510
6211, 6245	Z6201	VPE8063 (f) 70011423	VPE3995 (g) 69011419 VPE3996 (f, h) 70011402	VLD2057 (a) 70011430	VPE3993 (d) 55010510
6711, 6745 6718, 6748	Z6701	VPE8061 (a) LP3068	VPE3989 951403	VLD2051 (a) 959068	VPE3993 (d) 55010510
6911, 6945	Z6901	VPE8061 69011403	VPE3989 951403	VLD2051 (a) 959068	VPE3993 (d) 55010510
7011, 7045	Z7001	VPE8063 (f) 70011423	VPE3995 (g) 69011419 VPE3996 (h) 70011402	VLD2057 (a) 70011430	VPE3993 (d) 55010510
7211, 7245	Z7201	VPE8063 (f) 70011423	VPE3995 (g) 69011419 VPE3996 (h) 70011402	VLD2057 (a) 70011430	VPE3993 (d) 55010510
7711, 7745	Z7701		VPE3995 (g, j) 69011419		VPE3993 (d) 55010510
8011, 8045 385, 385A	Z8001	VPE8067 (l) 80014090	VPE3996 80005094	VLD2057 (a) 80014999	VPE3994 (d) 80005091
10111, 10145 1032, 1034 1132, 1134	Z8002.1			VLD2060 (a) 89014999	VPE3994 (d) 80005091
10111, 10145 1032, 1034 1132, 1134	Z8002.134			VLD2060 (a) 89014999	VPE3994 (d) 80005091
8111, 8145 932, 934, 912, 914 914DL, 914DL Turbo	Z8401.1			VLD2057 (a) 89014999	VPE3994 (d) 80005091
8111, 8145 932, 934 914DL, 914DL Turbo	Z8401.134			VLD2057 (a) 89014999	VPE3994 (d) 80005091
6 cylinders 12011, 12045 1201, 1204	Z8401.134	VPE8067 (l) 80014090	VPE3996 80005094	VLD2057 (a) 80014999	VPE3994 (e) 80005091
16145 1434, 1634	Z8602.1			VLD2060 (a) 89014999	VPE3994 (e) 80005091
12111, 12145 1232, 1234 1222, 1224	Z8701.1			VLD2057 (a) 80014999	VPE3994 (e) 80005091

Remarks and exhaust pipe dimensions on next page

11.20

Original manufacturers names and part numbers are quoted for reference purpose only and are not intended to infer that our replacement parts are used as original equipment. Tables contain partly reference pictures.



Remarks for the table on previous page

- a - complete
- b - use 2 pcs/tractor
- c - use 3 pcs/tractor
- d - use 4 pcs/tractor
- e - use 6 pcs/tractor
- f - with three hole flange fitting
- g - flange gasket for manifold and exhaust elbow
- h - elbow flange gasket for silencer
- j - not for turbo models
- k - seal ring for swept top silencer with 2 hook bolts
- l - models with later Crystal engines
- m - not in model 5611



ST0202



ST0036A



ST0079



VPF2615



VPF2515



T6079



VPF3221

TRACTOR MODEL	SPARE PARTS FOR ORIGINAL STARTER				
	NEW REPLACING STARTER	SOLENOID PAL	BRUSH SET	BENDIX-WHEEL	STARTER SWITCH
2 cylinders 2511					T6079 55115731
3 cylinders 3011, 3045, 3511, 3545, 3513	ST0036A 69185771	ST0079 932301	VPF2615 (a) 4 x 932233	VPF2515 (a) 932208	T6079 (f) 55115731
4712, 4718, 4911	ST0036A 69185771	ST0079 932301	VPF2615 4 x 932233	VPF2515 932208	T6079 (f) 55115731
5011, 5211, 5245	ST0036A 69185771	ST0079 932301	VPF2615 4 x 932233	VPF2515 932208	VPF3221 (g) 59115613
4 cylinders 4511, 4611	ST0036A 69185771	ST0079 932301	VPF2615 (a) 4 x 932233	VPF2515 (a) 932208	T6079 (f) 55115731
5711, 5718, 5745, 5748, 5511, 5545, 5516, 5611, 5645, 5647	ST0036A 69185771	ST0079 932301	VPF2615 (c) 4 x 932233	VPF2515 (c) 932208	T6079 (f) 55115731
5911, 5945	ST0036A 69185771	ST0079 932301	VPF2615 4 x 932233	VPF2515 932208	T6079 (f) 55115731
6011, 6045, 6211, 6245	ST0036A 69185771	ST0079 932301	VPF2615 4 x 932233	VPF2515 932208	VPF3221 (g) 59115613
6711, 6718, 6745, 6748, 6911, 6945	ST0036A 69185771	ST0079 932301	VPF2615 (c) 4 x 932233	VPF2515 (c) 932208	T6079 (f) 55115731
7011, 7045, 7211, 7245, 7711, 7745	ST0036A 69185771	ST0079 932301	VPF2615 (c) 4 x 932233	VPF2515 (c) 932208	VPF3221 (g) 59115613
8011, 8045, 385, 902, 904	ST0202 80357918	ST0079 932301	VPF2615 (e) 4 x 932233	VPF2515 (e) 932208	T6079 (f) 89355905
10111, 10145, 1032, 1034, 1132, 1134, 8111, 8145, 932, 934, 912, 914, 914DL, 914DL Turbo	ST0202 80357918	ST0079 932301	VPF2615 4 x 932233	VPF2515 932208	T6079 (f) 89355905

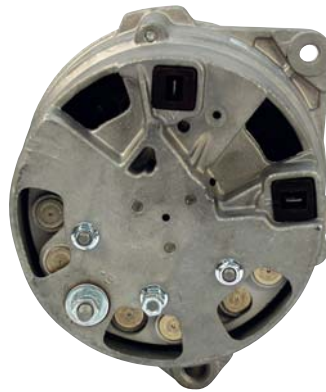
- a - suitable for later 69185771 starter
- c - suitable for 97611, 576117 or 69185771 starters
- d - suitable for earlier 80357918 starter
- e - suitable for 80357918 or 976118 starters
- f - starter switch positions 0-1-2-3, finnish cabins → 1980
- g - starter switch positions 0-1-2, white roof cabins 1980→

STARTER 24 V

ST0203

- Zetor UR II 8211, 8245, 9211, 9245, 10211, 10245, 11211, 11245, 12211, 12245, 14245, 16245,
- Zetor UR IV 8311, 8345, 10311, 10345, 11311, 11345, 12311, 12345, 14345, 16345, 18345, Ursus 1201, 1204, 1214, 1222, 1224, 1232, 1233, 1234, 1235, 1252, 1254, 1252, 1354, 1435, 1552, 1554, 1614, 1634, 1635, 1752, 1754
- 6,5 kW





ST0217

VPF4120

TRACTOR MODEL	REPLACING ALTERNATOR WITH BUILT-IN VOLTAGE REGULATOR	EXTERNAL VOLTAGE REGULATOR FOR ORIGINAL ALTERNATOR
3 cylinders 4911 5011 5211, 5245	ST0217	VPF4121 (f) 69185736 VPF4120 (g) 86350903 59115782
4 cylinders 5911, 5945	ST0217	VPF4121 (f) 69185736 VPF4120 (g) 86350903
6011, 6045 6211, 6245 6911, 6945	ST0217	VPF4121 (f) 69185736 VPF4120 (g) 59115782 86350903
7011, 7045 7211, 7245 7711, 7745	ST0217	VPF4121 (f) 69185736 VPF4120 (g) 59115782
8011, 8045 8111, 8145	ST0217	VPF4121 (f) 80350903 VPF4120 (g) 86350903
10111, 10145	ST0217	VPF4120 86350903
6 cylinders 12011, 12045 16145 12111, 12145	ST0217	VPF4121 (f) 86350903 VPF4120 (g) 86350903

- f - use in 14 V 35 AMP alternator, earlier models with 443116417020 regulator
- g - use in 14 V 55 AMP alternator, later models with 443116419060 regulator
- type 443116419070 voltage regulator



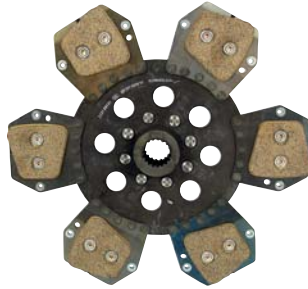
ALTERNATOR 65 A

ST0210

- includes fan and pulley
- universal model, requires fitting
- with w-connector



LUK231009810



LUK331023011



LUK328033310



T6080

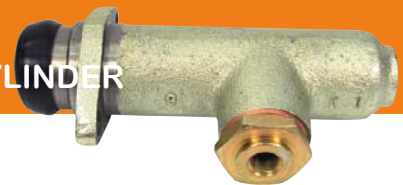


L6304-2RS

TRACTOR MODEL	CLUTCH ASSEMBLY	DRIVE CLUTCH PLATE	P.T.O CLUTCH PLATE	RELEASE BEARING	PILOT BEARING
5011, 4011, 4511, 4712, 4911, 5211, 5245, 5511, 5545, 5711, 5718, 5745, 5748, 5911, 5945, 6011, 6045, 6211, 6245, 6711, 6718, 6745, 6748, 6911, 6945, 7011, 7045, 7211, 7245, 7711, 7745	LUK228013110 (2) 280 mm LUK231009810 (2) 310 mm	LUK328035610(a) T6055 LUK328035710 (b) T6056 centre 18x28 mm	LUK328033310 T6082	T6083 65x102x26,5 ZR1175	L6304-2RS
3320, 3340, 4320, 4340, 5320, 5340, 5340h, 6320, 6340, 7320, 7320T, 7340, 7340T	LUK231009810 (2) 310 mm	LUK331023011 (a) T6154 centre 18x28 mm	LUK328033310 T6082		L6304-2RS
8011, 7045, 7520, 7540, 8520T, 8540T, 9520, 9540, 10520T, 10540T, URSUS 385, 902, 904, 1201, 1204	LUK133024110 (3) 330 mm	LUK333014211 (a) T6057 LUK333014212 (b) T6058 centre 18x30 mm		T6080 70x117x27 80108020	
10011, 10045, 12011, 12045, 1211, 14111, 14145, 16145, 8145, URSUS 902, 904, 912, 914, 1201, 1204	327 mm	LUK333005610 (a) T6059 centre 22x35 mm		T6080 79x117x27 80108020	L6304-2RS
10111, 10145, 9111, 9145, 9211, 9245, 8145, URSUS 902, 904, 912, 914, 1214, 1224	350 mm	LUK335016710 (a) T6067 centre 22x35 mm		T6080 70x117x27 80108020	L6304-2RS
11245, 12141, 12145, 12211, 12245, 14145, 14245, 16145, URSUS 1214, 1224	380 mm	LUK338015010 (a) T6068 centre 22x35 mm		T6080 70x117x27 80108020	L6304-2RS

- a - organic
- b - ceramic
- 2 - P.T.O clutch plate
- 3 - no plate

CLUTCH MASTER CYLINDER



VPJ7632

Z69112717

- fits: 3320, 3340, 4320, 4340, 5011, 5213, 5243, 5211, 5245, 5320, 5340H, 6011, 6045, 6211, 6245, 6320, 6340, 7011, 7045, 7215, 7245H, 7320, 7340, 7711, 7745



LUK433008310

- pressure plate + spring 280 mm for original clutch



LUK 434013310

- pressure plate 310 mm for original clutch



LUK434010810

- pressure plate 280 mm for original clutch

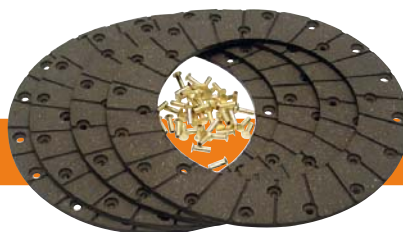


TRACTOR MODEL	BRAKE MASTER CYLINDER	BRAKE SLAVE CYLINDER LEFT drum brakes	BRAKE SLAVE CYLINDER RIGHT drum brakes	BRAKE SLAVE CYLINDER LEFT disc brakes	BRAKE SLAVE CYLINDER RIGHT disc brakes
ZETOR UR1-serie 2011, 3011, 3045, 4011, 2511, 3511, 3513, 3545, 4511, 4611	VPJ7631 975032	VPJ7627 67112603	VPJ7628 67112604		
5511, 5616, 5611, 5545, 5645, 5647, 4712, 4718, 5711, 5718, 5745, 5748, 6711, 6718, 6745, 6748, 4911, 5911, 5945, 6911, 6945	VPJ7631(d) 975032	VPJ7627 67112603	VPJ7628 67112604		
5011, 6011, 6045, 7011, 7045, 7045H	VPJ7632(d) 69112717	VPJ7627 67112603	VPJ7628 67112604		
5211, 5245, 6211, 6245, 7211, 7245, 7245H	VPJ7632(d) 69112717	VPJ7627 67112603	VPJ7628 67112604	VPJ7630(a,b) 83227912	VPJ7629(a,b) 83227911
7711, 7745	VPJ7632(d) 69112717			VPJ7630 (b) 83227912	VPJ7629 (b) 83227911
Crystal UR2-serie 8011, 8045, 8111, 8145 12011, 12045 Ursus 385, 1201, 1204 Ursus 912, 914, 932, 934	VPJ7631(d) 975032			VPJ7629 (b) 83227911	VPJ7630 (c) 83227912
9111, 9145, 10111, 10145, Ursus 1032, 1034, 1132, 1134, 12111, 12145, 14145, 16145, 1224, 1234, 1434, 1634	VPJ7631(d) 975032			VPJ7629 (b) 83227911	VPJ7630 (c) 83227912
8211, 8245, 9211, 9245 10211, 10245, 11211, 11245, 12211, 12245, 14245, 16245	VPJ7631(d) 86227903			VPJ7629 (b) 83227911	VPJ7630 (c) 83227912

a - not for models with air brakes
b - Ø 22 mm, brake pipe fixing from above

c - Ø 22 mm, brake pipe fixing from below
d - right and left

BRAKE PLATE SET



T6002

80227031

- Zetor 8011, 8045, 8111, 8145, 8211, 8245, 9111, 9145, 9211, 9245, 10011, 10045, 10111, 10145, 10211, 10245, 11211, 11245, 12011, 12045, 12111, 12145, 12211, 12245, 14145, 14245, 16045, 16145, 16245
- URSUS 385, 902, 904, 912, 914, 1201, 1204, 1214, 1224

BRAKE PLATE



T6081

80227010

- fits: Zetor 3320, 3340, 4320, 4340, 5211, 5245, 5320, 5340, 6211, 6245, 6320, 6340, 7211, 7245, 7320, 7340, 7711, 7745



TRACTOR MODEL	FRONT STEERING JOINT	REAR STEERING JOINT	LEFT STEERING JOINT	RIGHT STEERING JOINT	OUTER STEERING JOINT WITH GROOVES	INNER STEERING JOINT WITH THREAD	STEERING END	
							FRONT	REAR
UR1-serie, 2011, 3011, 4011	VPJ3138 (a) 953519	VPJ3139 (b) 953548						
2511, 3511, 4511, 4611	VPJ3138 (a) 953519	VPJ3139 (b) 953548						
3513	VPJ3138 (a) 953519	VPJ3139 (b) 953548	VPJ3138 (a) 953519	VPJ3139 (b) 953548				
5511, 5516, 5611	VPJ3141 (c) 67143531	VPJ3140 (d) 55113565	VPJ3141 (c) 67143531	VPJ3142 (d) 6714535			VPJ3146 (d,j) 55113915	VPJ3145 (d,j) 55113905
4712, 4718	VPJ3141 (c) 67143531	VPJ3140 (d) 55113565	VPJ3141 (c) 67143531	VPJ3142 (d) 6714535				
5711, 5718, 6711, 6718	VPJ3141 (c) 67143531	VPJ3140 (d) 55113565	VPJ3141 (c) 67143531	VPJ3142 (d) 67143535			VPJ3146 (d,j) 55113915	VPJ3145 (d,j) 55113905
4911, 5911, 6911	VPJ3141 (c) 67143531	VPJ3140 (d) 55113565	VPJ3141 (c) 67143531	VPJ3142 (d) 67143535			VPJ3146 (d,j) 55113915	VPJ3145 (d,j) 55113905
5011, 6011, 7011	VPJ3141 (c) 67143531	VPJ3140 (d) 55113565	VPJ3141 (c) 67143531	VPJ3142 (d) 67143535			VPJ3146 (d,j) 55113915	VPJ3145 (d,j) 55113905
5211, 6211, 7211	VPJ3141 (c) 67143531	VPJ3140 (d) 55113565	VPJ3141 (c) 67143531	VPJ3142 (d) 67143535			VPJ3146 (d,j) 55113915	VPJ3145 (d,j) 55113905
7711(k)	VPJ3141 (c) 67143531	VPJ3140 (d) 55113565	VPJ3141 (c) 67143531	VPJ3142 (d) 67143535			VPJ3146 (d,j) 55113915	VPJ3145 (d,j) 55113905
Crystal UR2-serie 8011, Ursus 385					VPJ3150 (h,i) 80220029	VPJ3149 (e) 80220019		
12011 Ursus 1201					VPJ3150 (h,i) 80220029	VPJ3149 (e) 80220019		
8111, 9111 Ursus 912, 932					VPJ3150 (h) 80220029	VPJ3149 (e) 80220019		
10111, 12111 Ursus 1032, 1132					VPJ3150 (h) 80220029	VPJ3149 (e) 80220019		
8211, 9211					VPJ3150 (h) 80220029	VPJ3149 (e) 80220019		
10211, 11211 12211					VPJ3150 (h) 80220029	1VPJ3149 (e) 80220019		

a - Ø 16 mm, LH outer thread
 b - Ø 16 mm, RH outer thread
 c - Ø 18 mm, LH outer thread
 d - Ø 18 mm, RH outer thread
 e - Ø 24 mm, RH outer thread

h - Ø 24 mm, stem with 8 grooves
 i - for later Crystal models
 j - alternative
 k - not for models with hydrostatic steering



VPJ3147



VPJ3144



VPJ3145



VPJ3143



VPJ3148



VPJ3151

TRACTOR MODEL	FRONT STEERING JOINT		REAR STEERING JOINT	OUTER STEERING JOINT LEFT	OUTER STEERING JOINT RIGHT	STEERING JOINT FOR POWER STEERING		STEERING END	
						OUTER	INNER	FRONT	REAR
UR1-serie, 3045, 3545	VPJ3138(a) 953519	VPJ3139(b) 953548		VPJ3138(a) 953519	VPJ3139(b) 953548				
5545, 5645, 5647 5745, 5748	VPJ3141(c) 67143531	VPJ3140(d) 55113565		VPJ3141(c) 67143531	VPJ3142(d) 67143535			VPJ3146(d,g) 5513915	VPJ3145(d,g) 55113905
6745, 6748, 5945, 5945, 6945, 6045, 7045	VPJ3147(c) 67453503	VPJ3148(d) 67453504		VPJ3143(e) 88221009	VPJ3144(f) 88221119			VPJ3151(d) 67453905	VPJ3145(d) 55113905
5245		VPJ3148(d) 67453504		VPJ3143(e) 88221009	VPJ3144(f) 88221119			VPJ3151(d) 67453905	VPJ3145(d) 55113905
6245, 7245 7245H	VPJ3147(c) 67453503	VPJ3148(d) 67453504		VPJ3143(e) 88221009	VPJ3144(f) 88221119			VPJ3151(d) 67453905	VPJ3145(d) 55113905
7745H	VPJ3147(c) 67453503	VPJ3148(d) 67453504		VPJ3143(e) 88221009	VPJ3144(f) 88221119			VPJ3151(d) 67453905	VPJ3145(d) 55113905
Crystal UR2-serie 8045, 12045, Ursus 385, 1204				VPJ3143(e) 88221009	VPJ3144(f) 88221119	VPJ3144(f) 88221119	VPJ3143(e) 88221009		
8145 (k), 9145 (k) 1986→ Ursus 914, 934				VPJ3143(e,j) 88221009	VPJ3144(f,j) 88221119	VPJ3144(f,j) 88221119	VPJ3143(e,j) 88221009		
10145 (k), 12145 (k) Ursus 1034, 1134, 1224, 1234				VPJ3143(e,j) 88221009	VPJ3144(f,j) 88221119	VPJ3144(f,j) 88221119	VPJ3143(e,j) 88221009		
Crystal UR2-serie 14145 (k) 1986→ 16145 (k), 8245 (k), 9245 (k) Ursus 1634, 1434				VPJ3143(e,j) 88221009	VPJ3144(f,j) 88221119	VPJ3144(f,j) 88221119	VPJ3143(e,j) 88221009		
10245 (k), 11245 (k) 12245 (k), 14245 (k) 16245 (k)				VPJ3143(e,j) 88221009	VPJ3144(f,j) 88221119	VPJ3144(f,j) 88221119	VPJ3143(e,j) 88221009		

a - Ø 16 mm, LH outer thread
 b - Ø 16 mm, RH outer thread
 c - Ø 18 mm, LH outer thread
 d - Ø 18 mm, RH outer thread
 e - Ø 27 mm, LH outer thread

f - Ø 27 mm, RH outer thread
 g - alternative
 j - with standard FWD axle
 k - not for models with hydraulic FWD differential gear lock



REAR LAMP

- 3320, 3340, 4320, 4340, 4712, 4718, 4911, 5011, 5211, 5245, 5320, 5340, 5711, 5718, 5745, 5748, 5911, 5945, 6011, 6045, 6211, 6245, 6320, 6340, 6711, 6718, 6911, 6945, 7011, 7045, 7211, 7245, 7711, 7745, 8011, 8045, 8111, 8145, 8211, 8245, 9111, 9145, 9211, 9245, 10011, 10045, 10111, 10145, 10211, 10245, 11211, 11245, 12011, 12045, 12111, 12145, 12211, 12245, 14145, 14245, 16045, 16145, 16245

- ORIGINAL CABLE CONNECTORS MUST BE USED

Left

T6145

67115712

- spare glass **T6147**

Right

T6144

67115711

- spare glass **T6146**



SIDE LAMP front

T6148

62115803

- 3320, 3340, 4320, 4340, 4712, 4718, 4911, 5011, 5211, 5245, 5320, 5340, 5711, 5718, 5745, 5748, 5911, 5945, 6011, 6045, 6211, 6245, 6320, 6340, 6711, 6718, 6911, 6945, 7011, 7045, 7211, 7245, 7711, 7745, 8011, 8045, 8111, 8145, 8211, 8245, 9111, 9145, 9211, 9245, 10011, 10045, 10111, 10145, 10211, 10245, 11211, 11245, 12011, 12045, 12111, 12145, 12211, 12245, 14145, 14245, 16045, 16145, 16245

- spare glass **T6149**



FRONT LIGHT

- 7745, 8011, 8045, 8111, 8145, 8211, 8245, 9111, 9145, 9211, 9245, 10011, 10045, 10111, 10145, 10211, 10245, 11211, 11245, 12011, 12045, 12111, 12145, 12211, 12245, 14145, 14245, 16045, 16145, 16245

Left

T6143

89352904

Right

T6142

89352903



FRONT LIGHT

T6140

931414

- 5011, 5211, 5245, 6011, 6045, 6211, 6245, 7011, 7045, 7211, 7245, 7711, 7745



FRONT LIGHT

T6141

931425

- 3320, 3340, 4320, 4340, 5320, 5340, 6320, 6340



REAR WINDOW

T6100

- 5211, 5245, 6211, 6245, 7211, 7245, 7711, 7745, 3320, 3340, 4320, 4340, 5320, 5340, 6320, 6340, 7320, 7340
- cabin models BK7011, 7011M
- **NO THERMAL RESISTANCE**

REAR WINDOW

T6101

- 8111, 8145, 9145, 9245, 10145, 10245, 12145, 12245, 14145, 14245
- **NO THERMAL RESISTANCE**

SIDE WINDOW

T6103

- 5211, 5245, 6211, 6245, 7211, 7245, 7711, 7745
- cabin model BK7011

CABIN GAS STRUTS



T6084

KS0126

- 62117932
- length 320 mm
- door 150N
- holes 8 mm (in picture)

T6084A

KS0127

- 62117932
- length 325 mm
- rear window 250N
- holes 8 mm

T6085

KS0128

- VPM1673
- 60117921
- length 420 mm
- holes 10 mm
- rear window
- door

TRACTOR METER CABLES

VPM5226

- 3011, 3045, 3511, 3513, 3545, 4712, 4718, 4911
- length 1560 mm

VPM5227

- 4511, 4611, 5511, 5545, 5611, 5645, 5647, 5711, 5718, 5745, 5748, 6711, 6718, 6745, 6748, 5911, 5945, 6911, 6945, 8011, 8045, 8111, - 8145, 9111, 9145, 10111, 10145
- length 1840 mm

VPM5228

- 12011, 12045, 12111, 12145, 14145, 16145
- length 2090 mm



WIPER BLADES

VLC3221

- length 355 mm

VLC3228

- length 510 mm



HEATER FAN MOTORS

ST0145

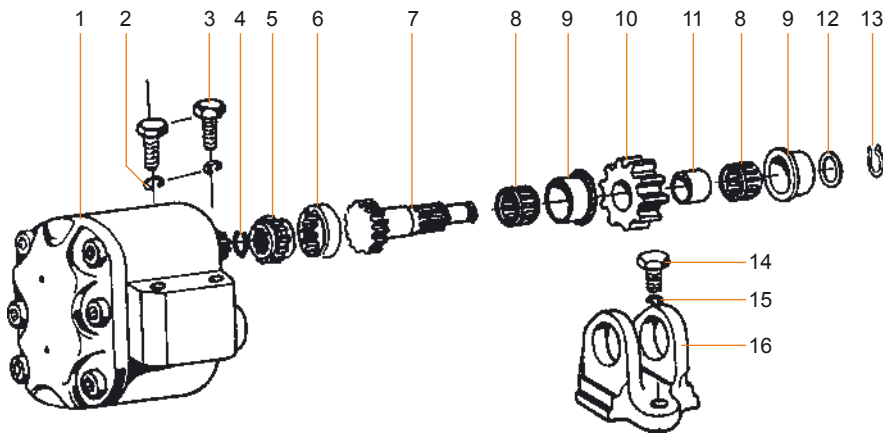
T2321

T6003

HYDRAULIC PUMP

T6090

- suitable for later UR1-series tractors where the pump is assembled with the hex socket head screws shown in picture



FIXING KIT

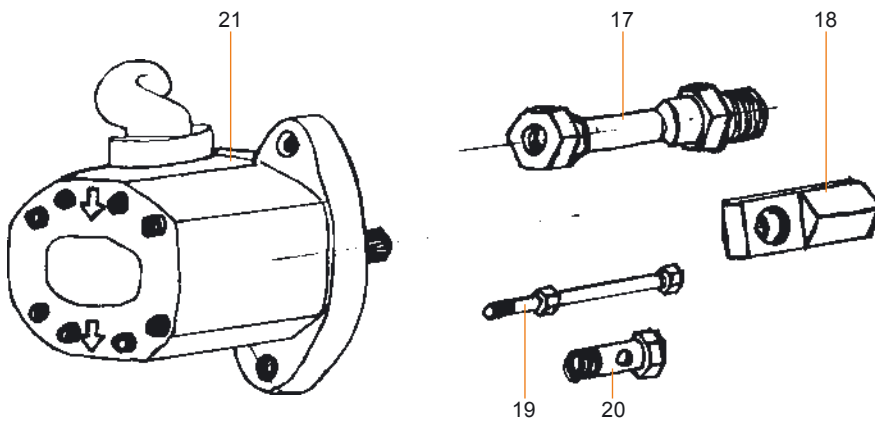
VPK5011

- is needed in earlier models where the pump is assembled with normal hex head screws
- includes parts no 4, 5, 6, 7, 12 and 13

HYDRAULIC PUMP

T6000A

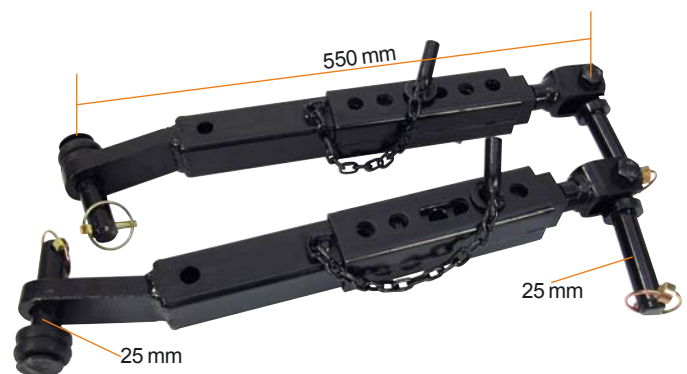
- suitable for CRYSTAL (UR2) and URSUS tractors from year -83 forward



FIXING KIT

VPK5010

- is needed in earlier models
- includes parts no 20, 21, 22 and 23



STABILIZER PAIR

T0411

- Ursus 4 and 6 cylinders Zetor Crystal models
- inner pipe 40 x 40 mm
- pin 16 mm



TRACTOR MODEL	OIL FILTER	FUEL FILTER	AIR FILTER OUTER	AIR FILTER INNER	HYDRAULIC FILTER	STEERING FILTER	CABIN FILTER
25, 2011, 2511, 3011, 3045, 3511	TF5164 931107	TF8019 (a) 931207 TF7094 (b) 931209			TF51058 70114566		
3320, 3340, 4320, 4340	TF4503 77010793	TF7204 931260	TF2593 71011292	TF2593-2	TF51058 70114566	TF51059 931140	TF21098 945900
3545, 4011, 4511, 5011, 5511, 5545	TF5164 931107	TF8019 (a) 931207 TF7094 (b) 931209				TF51058 70114566	
3321, 3341, 4321, 4341	TF4503 77010793	TF7233 931273	TF2526 79011284	TF2526-2 79011285	TF4342 53420903		
4712, 4911, 4945	TF5164 931107	TF8019 (a) 931207 TF7094 (b) 931209			TF51058 70114566		
5011, 5045, 6011, 6045		TF8019 (a) 931207 TF7094 (b) 931209			TF51058 70114566		TF21038 SY72163 TF21204 945901
5211, 5245	TF5164 931107	TF8019 (a) 931207 TF7094 (b) 931209			TF51058 70114566	TF51059 931140	TF21204 945901 TF21098 (c) 945900
5320, 5340, 5340H	TF4503 77010793	TF7204 931260	TF2593 71011292	TF2593-2	TF51058 70114566	TF51059 931140	
5321, 5341	TF4503 77010793	TF7233 931273	TF2526 79011284	TF2526-2 79011285	TF4342 53420903		TF21180 (x2) 53371907
5711, 5745	TF5164 931107	TF8019 (a) 931207 TF7094 (b) 931209			TF51058 70114566		TF21038 SY72163
5911, 5945, 6911, 6945		TF8019 (a) 931207 TF7094 (b) 931209			TF51058 70114566		
6211		TF8019 (a) 931207 TF7094 (b) 931209			TF51058 70114566	TF51059 931140	TF21204 945901 TF21098 (c) 945900

a - rough

b - fine

c - from year 1987 forward



TRACTOR MODEL	OIL FILTER	FUEL FILTER	AIR FILTER OUTER	AIR FILTER INNER	HYDRAULIC FILTER	STEERING FILTER	CABIN FILTER
6320, 6340	TF4503 77010793	TF7204 931260	TF2593 71011292	TF2593-2	TF51058 70114566	TF51059 931140	TF21098 945900
6321, 6341	TF4503 77010793	TF7233 931273	TF2526 79011284	TF2526-2 79011285	TF4342 53420903		TF21180 (x2) 53371907
6711, 6745		TF8019 (a) 931207 TF7094 (b) 931209			TF51058 70114566		TF21038 SY72163
7011, 7045		TF8019 (a) 931207 TF7094 (b) 931209			TF51058 70114566		TF21204 945901
6245, 7211, 7245		TF8019 (a) 931207 TF7094 (b) 931209			TF51058 70114566	TF51059 931140	TF21204 945901 TF21098 (c) 945900
7320, 7340	TF4074 68016093	TF7204 931260	TF2593 71011292	TF2593-2			
7321, 7341	TF4503 777010793	TF7233 931273	TF2526 79011284	TF2526-2 79011285	TF4342 53420903		TF21180 (x2) 53371907
7520, 7540	TF4074 68016093	TF7204 931260	TF2197 10011906	TF2197-2 10011907	TF51068 78420908		TF21137 78371439
7711, 7745		TF8019 (a) 931207 TF7094 (b) 931209			TF51058 70114566	TF51059 931140	TF21098 945900
7745 SPECIAL	TF4085 923479	TF7204 931260					TF21098 945900
8011, 8045		TF8018 (a) 93009904 TF7022 (b) 93009905	TF2227 93012504		TF4111 93407505	TF4111 93407505	
8145		TF8018 (a) 93009904 TF7022 (b) 93009905	TF2227 93012504		TF51053 89407110	TF4111 93407505	TF21204 945901 TF21098 (c) 945900
9145, 10145		TF8018 (a) 93009904 TF7022 (b) 93009905			TF51053 89407110	TF4111 93407505	TF21204 945901 TF21098 (c) 945900

a - rough
b - fine
c - from year 1987 forward



TRACTOR MODEL	OIL FILTER	FUEL FILTER	AIR FILTER OUTER	AIR FILTER INNER	HYDRAULIC FILTER	STEERING FILTER	CABIN FILTER
8520, 8540, 9520, 9540	TF4074 68016093	TF7204 931260	TF2197 10011906	TF2197-2 10011907	TF51068 78420908		TF21137 78371439
10111		TF8018 (a) 93009904 TF7022 (b) 93009905			TF51053 89407110	TF4111 93407505	
8245, 9245, 10245		TF8018 (a) 93009904 TF7022 (b) 93009905	TF21017 83012915	TF21017-2 83012916	TF51053 (x2) 89407110	TF4111 93407505	TF21204 945901 TF21098 (c) 945900
10520, 10540	TF4074 68016093	TF7204 931260	TF2197 10011906	TF2197-2 10011907	TF51068 78420908	TF51059 931140	
10621, 11641	TF4074 68016093	TF7204 931260	TF2197 10011906	TF2197-2 10011907	TF51068 78420908		TF21180 53371907
12011, 12045		TF8019 (a) 931207 TF7094 (b) 931209	TF2289 93012514		TF4111 93407505	TF4111 93407505	
12145		TF8019 (a) 931207 TF7094 (b) 931209	TF2289 93012514		TF51053 89407110	TF4111 93407505	TF21204 945901 TF21098 (c) 945900
14145 16145		TF8019 (a) 931207 TF7094 (b) 931209	TF2289 93012514		TF51053 89107110	TF4111 93407505	TF21204 945901 TF21098 (c) 945900
12245, 14245 16245	TF4114 64001006	TF8019 (a) 931207 TF7094 (b) 931209	TF21017 83012915	TF21017-2 83012916	TF51053 (x2) 89407110	TF4111 93407505	

a - rough
b - fine
c - from year 1987 forward



TF4501

TF7022

TF2289

TF4111

TRACTOR MODEL	ENGINE OIL FILTER	FUEL FILTER	AIR FILTER	HYDRAULIC FILTER	POWER STEERING FILTER
385, 385-4	TF4501	TF8018 (a) TF7022 (b)	TF2227	TF4111	TF4111
385, 385-4 Turbo	TF4501 TF4107 Turbo filter	TF8018 (a) TF7022 (b)	TF2227	TF4111	TF4111
1201, 1204	TF4501	TF8019 (a) TF7094 (b)	TF2289	TF4111	TF4111
1201, 1204 Turbo	TF4501 TF4107 Turbo filter	TF8019 (a) TF7094 (b)	TF2289	TF4111	TF4111
902, 904 912, 914	TF4501	TF8018 (a) TF7022 (b)	TF2227	TF4111	TF4111
902, 904 Turbo 912, 914 Turbo	TF4501 TF4107 Turbo filter	TF8018 (a) TF7022 (b)	TF2227	TF4111	TF4111
1214, 1224	TF4501	TF8019 (a) TF7094 (b)	TF2289	TF4111	TF4111
1214, 1224 Turbo	TF4501 TF4107 Turbo filter	TF8019 (a) TF7094 (b)	TF2289	TF4111	TF4111

a - rough
b - fine



HYDRAULIC FILTER

TF51053

89407110

- 87→

- length 122 x width 98 x holes 21/0