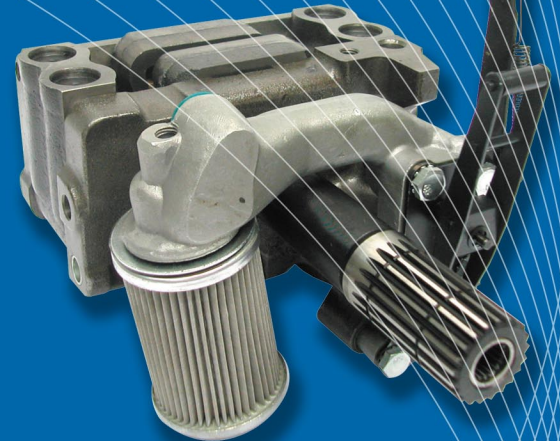
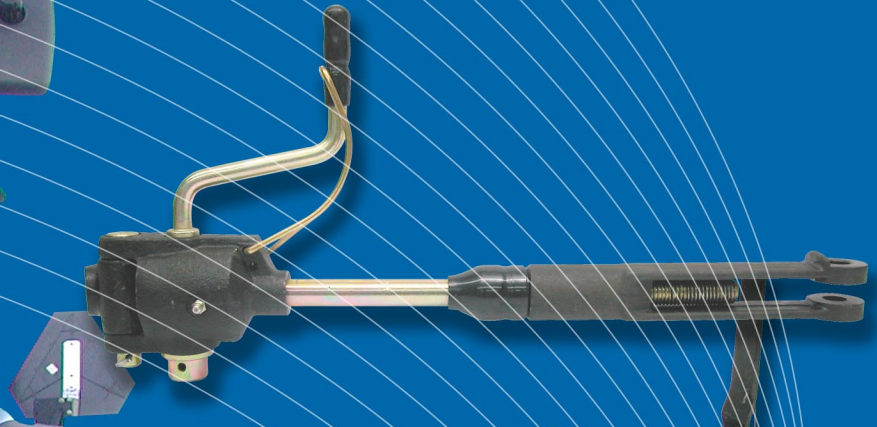


B4

HYDRAULICS, HOISTING DEVICE





640-3

81824183

- fits: 3000, 3550, 4000, 4100, 4110, 4200, 4330, 4340, 4400, 4410, 4500



640-4

81823983

- fits: 5000, 5100, 5200, 5340, 5900, 7000, 7100, 7200



640-5

81826808

- fits: 5000, 5100, 5200, 5340, 5900, 7000, 7100, 7200 (6/73→)
- models with Dual Power



F0409

83957379

- fits: 5110, 5610, 5900, 6610, 6410, 6710, 6810, 7010, 7410, 7610, 7710, 7810, 7910, 8210



F0410

83996272

- to engine side
- 10-series
- gasket **F3948101**
- suitable filter **F83912298**



F0411

83936585

- fits: 3230, 3430, 3900, 3910, 3930, 4100, 4110, 4130, 4600, 4610, 4630, 4830



640-6

83936586

- fits: 5600, 5700, 6600, 6700, 7600, 7700

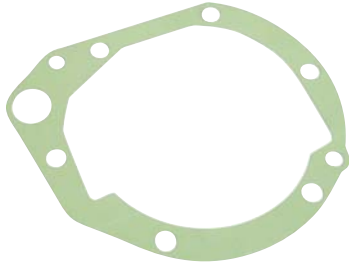


F0594

81871528

- fits: 5610S, 5640, 6610S, 6640, 6810S, 7010, 7610S, 7740, 7840, 8010, 8240, 8340, TS80, TS90, TS100, TS110, TS115

26.10.2007



F3961379



F1829207



F1934246

TRACTOR MODEL	PUMP TO REAR HOUSING	GASKET BETWEEN PUMP AND BLOCK	PUMP GASKET SET	OIL SEAL	SEAL RING	BACK PLATE	DRIVE GEAR	SECONDARY GEAR
DEXTA			F1934248 81934248					
MAJOR			F1934247 81934247	643-4 81800808	646-4 81760901			
4000	640-3 81824183	F3961379 83961379		643-4 81800808	646-4 81760901	647-4 81801693	648-4 83923969	649-4 83923970
5000, 7000 5900	640-4 81823983 640-5 81826808 Dual Power	F3963582+ F1829207 83963582 81829207	F1934246 81934246	643-4 81800808	646-4 81760901	647-4 81801693	648-4 83923969	649-4 83923970
4100, 4600 4110, 4610	F0411 83936585	F3961379+ F1829207 83961379 81829207						
5600, 5700 6600, 6700, 7600, 7700	640-6 83936586	F3906168+ F1829207 83906168 81829207						
5610, 6610, 6410, 7610, 7710, 7810, 7910, 8210	F0409 83957379	F3961380+ F1829207 83961380 81829207						
5610S, 5640, 6610S, 6640, 6810S, 7010, 7610S, 7740, 7840, 8010, 8240, 8340, TS80, TS90, TS100, TS110, TS115	F0594 81871528							



SUCTION STRAINER

F1824462

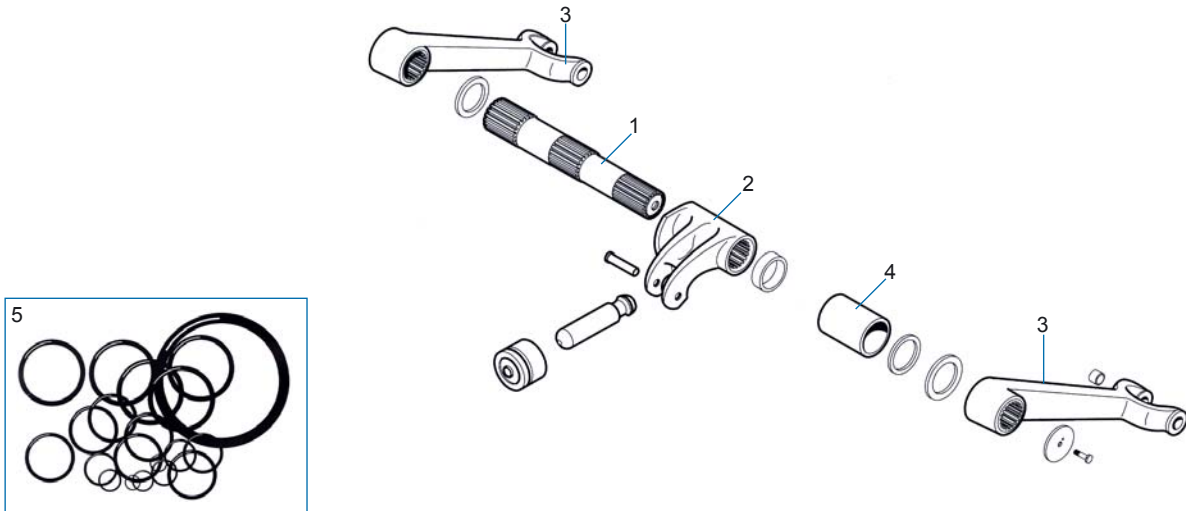
81824462
- 5000-7000



HYDRAULIC PUMP REPAIR KIT

F0143

81821107
- piston type
2000, 3000, 4000, 2600, 3600, 4600, 4110, 4610



BUSH SET

F0432
81825129

- Ford 4000
- includes 4 bushes and 2 o-rings
- picture 4

CROSS SHAFT

F0001
E1ADDN544, 81801596

- Major
- picture 1

Carrier	Arm
F0003 E1ADDN545B, 81801601	F0005 E1ADDN994620A, 81718793
- Major	- Major
- picture 2	- right and left
	- picture 3

BUSH

F0433
83933328

- Ford 4-cyl. 5000, 5600, 5610, 6600, 6610, 6700, 7000, 7600, 7610, 7700, 7710
- 4 pcs / tractor
- picture 4

O-RING SET

F3912473
83912473

- hydraulic lift top cover
- Ford 3000-8210
- picture 5



F0415



F0418



F0419



F0427



F0451

TRACTOR MODEL	HYDR. LIFT COVER O-RING SET	HYDR. LIFT COVER GASKET	RUBBER SEAL RING	SUPPORT RING	CYLINDER RELIEF VALVE	DELUXE VALVE SEAL KIT
DEXTA, SUPER DEXTA	V3550 81825774 F1934248 (a) 81825774	F3963584 83963584	692-6 81717083			
MAJOR, POWER MAJOR (1952-11/1960)	V3550 81825774 F1934247 (a) 81934247	F1717485 81717485	F0007 81718816			
SUPER MAJOR	V3550 81825774 F1934247 (a) 81934247	F1717485 81717485	F0006 81718815		694-1 81717251	
2000, 3000, 3600	V3560 F1934223 (a) 81825772	F3963584 83963584	692-7 81845041	692-8 81801439	F0427 83911832	
4000	V3560 F1934223 (a) 81825772	F3963584 83963584	692-9 81801571	692-10 81825713	694-1 81717251	
5000, 7000	V3560 F1934245 (a) 81825773	F1817011 81817011	692-11 83416996	692-12 81825714	694-1 81717251	
4100, 4600, 4110, 4610	F0414 (a)	F3963584 83963584	F0416 83904830	F0417 83904831	F0427 83911832	F0451 83957382
5600, 5700, 6600, 6700, 7600, 7700 Slave cylinder Ø 95 mm	F1934245 (a) 81825773	F3948873 83948873	692-11 83416996	692-12 81825714	F0427 83911832	
5600, 5700, 6600, 6700, 7600, 7700 Slave cylinder Ø 104 mm	F0415 (a)	F3948873 83948873	F0418 83904858	F0419 81838586	F0427 83911832	
5610, 6610, 7610, 7710, 7810, 8210	F0415 (a)	F3948873 83948873	F0418 83904858	F0419 81838586	F0427 83911832	F0451 83957382

a - lift cylinder gaskets included

26.10.2007



F0420



F0421



F0427

TRACTOR MODEL	HYDRAULIC'S REGULATING VALVE FOR SLAVE CYLINDER		SLAVE CYLINDER RELIEF VALVE
	WHITE	BLUE	
SUPER MAJOR			694-1 81717251
2000, 3000	F0420 (a) 81819036	F0421 (b) 81819039	F0427 83911832
4000, 5000, 7000	F0420 (a) 81819036	F0421 (b) 81819039	694-1 81717251
4100, 4600, 5600, 6600, 6700, 7700			F0427 83911832
5610, 6610, 7610, 7710			F0427 83911832

a - Ø 25,41 mm

b - Ø 25,415 mm

FORD COUPLING MALE



F3972880

81834280

- thread 1/2" BSB
- the push force of central stud is corresponding to original

HYDRAULIC BLOCK CONTROL SOLENOID VALVE



FT5168052

5168052

- P.T.O. and brake
- FWD
- zone gearing
- 60-series, M-series, TM-series, TN-series

HYDRAULIC FILLING CAP



F0139

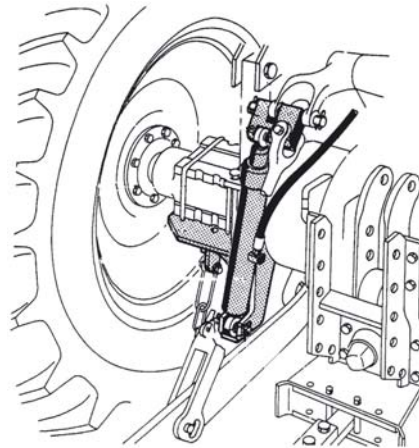
83907851

- 5610-8210

26.10.2007

Note!

Increases lifting capacity 1360 kg/kit.
HD rocker links, in which stabilizer is mounted.
Easy to assemble!



F0532

SEAL KITS FOR RAM



F0533

F0487

- for earlier
950 kg series

F0533

- for later
1360 kg series

OGA30408 OUN304510 OR16030

- Ford Hara-cabin

OGA455510 OVB45558 OR55635

- Ford 10-series

COMPLETE SET	ORDER NUMBER RIGHT	ORDER NUMBER LEFT
For tractors with clevis type stabilizers 5000, 5600, 6600, 6700, 7700, 8200, 5610, 6610, 6710, 6810, 7610, 7710, 7910, 8210		F0532
For tractors with ball end type stabilizers 5610, 6610, 6710, 6810, 7610, 7710, 7910, 8210	F0535	F0536
Set includes: <ol style="list-style-type: none"> U-bolt Pressure hose II banjo connector I banjo connector Bracket left Bracket right Cylinder Connection piece Pin Pin Pin 	X X X X X X X X X X	X X X X X X X X X X

TOP LINK FORD MODEL



MODEL	ADJUSTMENT D min. mm	ADJUSTMENT D max. mm	WEIGHT kg	HEAD SIZES mm	ORDER NUMBER
Ford big	616	794	6,3	25	V989 81824138

26.10.2007



F0527

- Major
- adjustment range 490-610 mm
- thread 7/8" UNC



F0528

- 83954426
- 4100, 4110, 4610
 - 2810, 2910, 3600, 3900, 3910, 4600, 4600SU
 - adjustment range 720-870 mm
 - thread 13/16" UNC
- spare parts:
8. V1036 pin
 12. V1015 cross piece
 13. V1036 pin



F0529

- 81826365
- 5000, 7000, 6000, 6100, 5600, 6600, 7600, 6700, 7700, 5610, 6610, 7610, 7710
 - adjustment range 680-830 mm
- spare parts:
3. V4049 fork
 4. F0442 wheel
 8. F0440 pin
 9. F0443 bearing
 14. F0059 left top



F0562

- 83960746
- 4-6 cyl. 1981-
 - 5110, 5610, 6410, 6610, 6710, 6810, 7410, 7610, 7710, (7810, 7910, 8210, 8212-89)



V4005

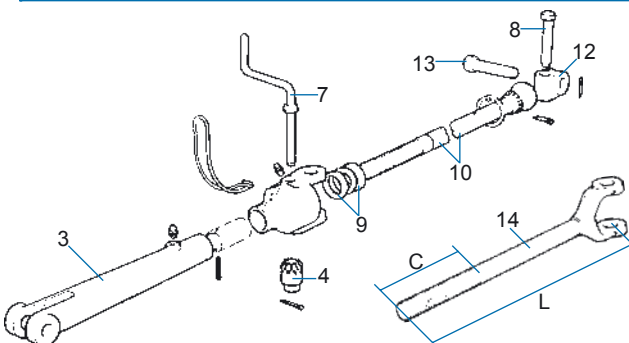
- 83925904
- Dexta 2000, 3000, 3600
 - 231, 233, 333, 334, 335, 531, 2100, 2110, 2120, 2150, 2600, 2300, 2310, 2610, 3610, 4110, 4140, 6410SU
 - adjustment range 470-560 mm
 - thread 3/4" UNC
- spare parts:
3. V4038 fork
 4. V1905 wheel
 7. V4032 handle
 8. V1036 pin
 9. V3999 bearing
 10. V4297/35 shaft
 12. V1015 cross piece
 13. V1036 pin
 14. F0537 left top



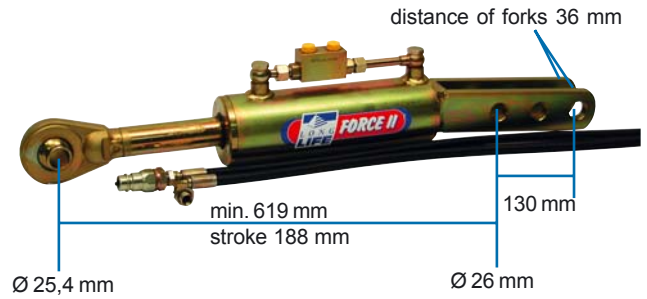
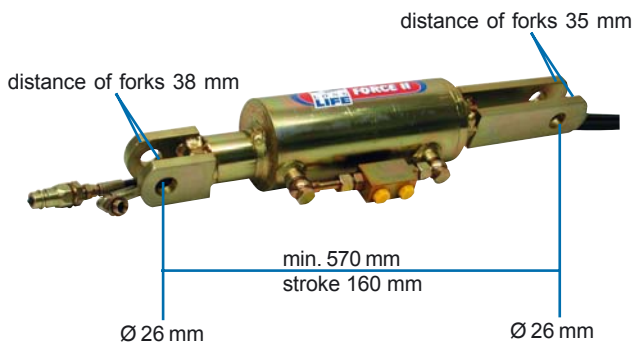
F0057

- 81817166
- 3000, 3055, 3550, 4000, 4100, 4200, 4330, 4340, 4400, 4410, 4500, 4600
 - adjustment range: 700-800 mm
 - thread 3/4" UNC
- spare parts:
3. F0060 fork
 4. V1905 wheel
 7. V4032 handle
 8. V1036 pin
 9. V3999 bearing
 10. V4297/65 shaft
 12. V1015 cross piece
 13. V1036 pin
 14. V8524 left top

LEFT TOP	THREAD	PIN	DIMENSIONS	
			L	C
F0537 81802071	3/4" UNC	5/8"	340 mm	150 mm
V8524 81801667	3/4" UNC	5/8"	381 mm	125 mm
F0059 81802073	1 1/4" UNC	7/8"	420 mm	150 mm



26.10.2007



HYDRAULIC LEVELLING BOX

T1722

- New Holland 8360
- piston 100 mm
- shaft 50 mm

HYDRAULIC LEVELLING BOX

T1712

- New Holland TS-series
- piston 80 mm
- shaft 40 mm

26.10.2007



TRACTOR MODEL		DEXTA SUPER DEXTA	MAJOR POWER MAJOR SUPER MAJOR	2000 3000 3600	3910, 4000, 4100, 4600, 4610	5000, 7000, 5600, 6600, 7600, 6700, 7700, 5610, 6610, 7610, 7710
1. Link arm	22 mm	MF0103 81717217		MF0103 81717217		
	28 mm	MF0104 (b) 81815827		MF0104 (b) 81815827	F0061 81821330	F0063 (c) 81844495 F0063A (e) 81826806
2. Drag link ball	22 mm	V4504 81718883	V4504 81718883	V4504 81718883	V4504 81718883	V4504 81718883
	28 mm	V4503 81801634	V4503 81801634	V4503 81801634	V4503 81801634	V4503 81801634
3. Retaining clip		V8502 81814226	V8502 81814226	V8502 81814226	V8502 81814226	V8502 81814226
4. Lower link weld on end	22 mm	V8510/1	V8510/1	V8510/1	V8510/1	
	28 mm	V8510/2 (a)	V8510/2 (a)	V8510/2 (a)	V8510/2 (a)	V8510/2 (a)
5. Stabilizer rocker link	vasen					T0420 81817042
	oikea					T0421 81817669
6. Lower link pin				V1025/35 81801640 (vasen)	F3960472 83960472	F0064 (d) 83949240
7. Draw bar	22 mm	V7046 81826363		V7046 81826363		
	28 mm	V7046/65 81811489	V7046/65 81811489	V7046/65 81811489	V7046/65 81811489	V7046/65 81811489
8. Automatic hitch pin				PKC58X112	PKC58X112	PKC58X112

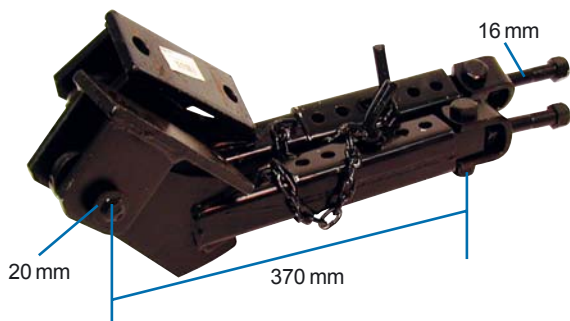
- a - HD lower link weld on end 28 mm **T0659**,
special-HD lower link weld on end 28 mm **T0660**
- b - 22-28 mm
- c - 885 x 100 x 20 mm
- d - nut **PMFL1**
- e - 933 x 100 x 20 mm

STABILIZER PIN

F3957411

- 83957411
- 10-series
- for rounded type stabilizers
- material thickness 13 mm

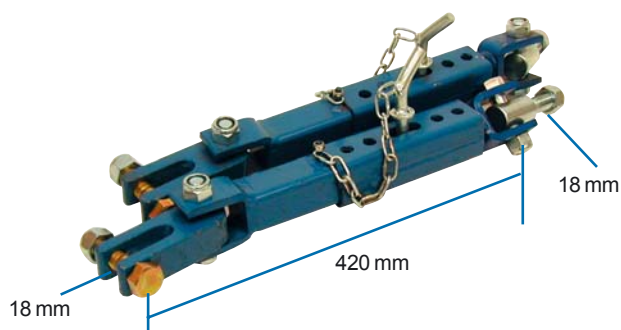




STABILIZER PAIR

T0177

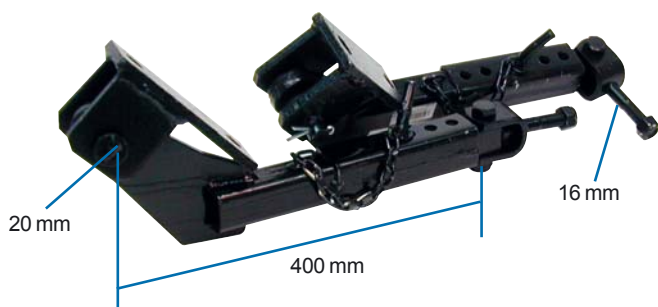
- Dexta
- inner pipe 30 x 30 mm
- pin 12 mm



STABILIZER PAIR

T0176

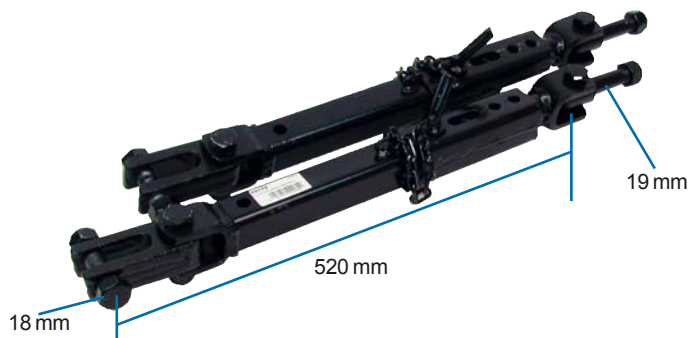
- Fordson Major
- inner pipe 30 x 30 mm
- pin 12 mm



STABILIZER PAIR

T0172

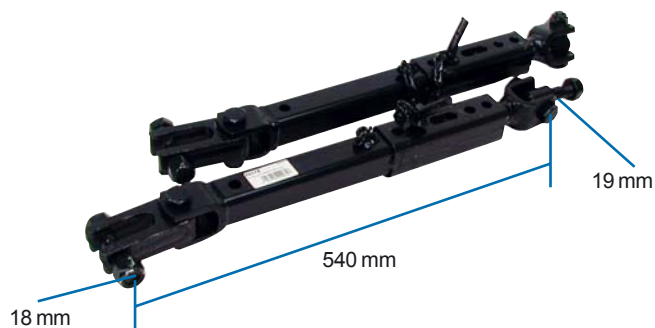
- Ford 2000, 3000, 3600
- inner pipe 30 x 30 mm
- pin 12 mm



STABILIZER PAIR

T0173

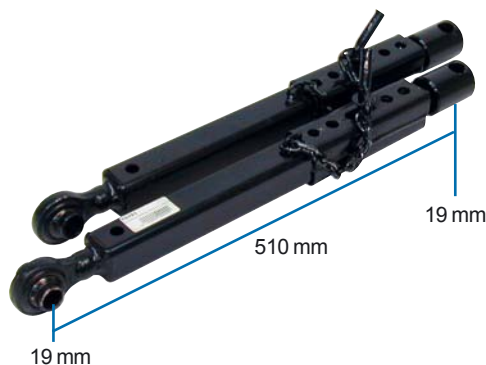
- 4000, 4100, 4600, 4610
- inner pipe 30 x 30 mm
- pin 12 mm



STABILIZER PAIR

T0174

- Ford 4-cyl. 1000, 100 and 10 series
- inner pipe 30 x 30 mm
- pin 12 mm



STABILIZER PAIR

T0191

- New Holland TS-series
- inner pipe 30 x 30 mm
- pin 12 mm