

F1





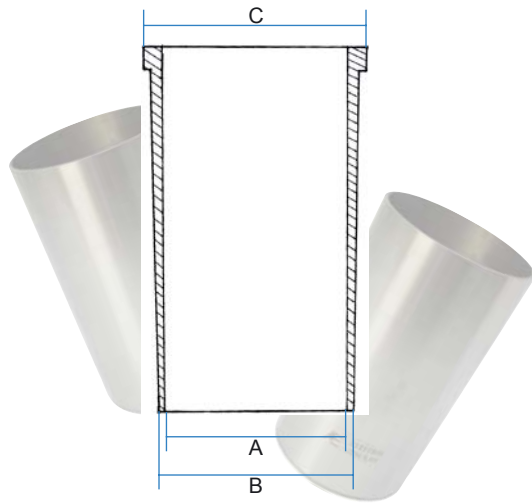
FROM TRACTOR MODEL TO ENGINE TYPE

TRACTOR MODEL	NO. OF CYLINDERS	CYLINDER Ø	ENGINE TYPE
3DL	3	95	2.6
3/42, 3/45	3	100	2.8T
3/45	3	100	2.8TD
4DM	4	95	3.4T
4/60, 4/65	4	100	3.8T
4/65	4	100	3.8TA
4/65	4	100	3.8TD
10/42	3	100	2.8T
10/60	4	100	3.8T
10/60	4	100	3.8TA
245, 253	3	91,49	D3.152
255, 262	4	98	4/98DT
270, 272	4	98	4/98NT
282	4	98	4/98TT
285	6	98	6/98NT
344	4	95	3.4TD
384	4	100	3.8TD
462	4	98	4/98DT
472	4	98	4/98NT
482	4	98	4/98TT
485	6	98	6/98NT
502	3	91.49	D3.152
602, 604	4	98	4/98DT
702, 704	4	98	4/98NT
802, 804	4	98	4/98TT
2100, 4100	6	98	6/98NT

FROM ENGINE TYPE TO TRACTOR MODEL

ENGINE TYPE	TRACTOR MODEL
3 CYLINDERS	
2.6.	3DL
2.8T	3/42, 3/45, 10/42
2.8TD	3/45
D3.152	245, 253, 502
4 CYLINDERS	
3.4T	4DM
3.4TD	344
3.8T	4/60, 4/65, 10/60
3.8TA	4/65, 10/60
3.8TD	4/65, 384
4/98DT	255, 262, 462, 602, 604
4/98NT	270, 272, 472, 702, 704
4/98TT	282, 482, 802, 804
6 CYLINDERS	
6/98NT	285, 485, 2100, 4100

15.06.2007



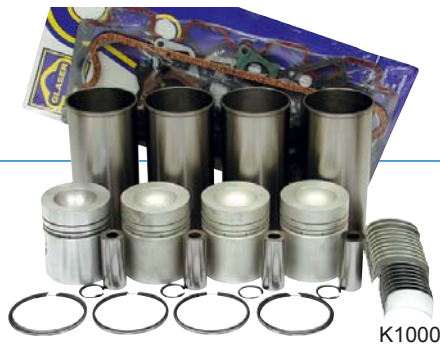
Note.

Check the liner dimensions before ordering.

SET	LINER	A mm	B mm	C mm
T4529	T4537	95	106	114
T4530	T4538	95	110	114
	T4539	95	110	117
T4532	T4540	98	108	117
T4533	T4540	98	108	117
T4534	T4541	100	106	114
T4535	T4542	100	110	114
T4536	T4543	100	110	117

Nuffield/Leyland engine overhaul kits STD include:

pistons, piston rings, liners, top and bottom gasket sets, front and rear crankshaft seals (if not incl. in top gasket set), conrod bearings STD, main bearings STD



CYLINDER LINER SHIM		ORDER NUMBER
0.003"	0.0762 mm	VPB7300 89J88
0.004"	0.1016 mm	VPB7301 89J89
0.005"	0.127 mm	VPB7302 89J90



TRACTOR MODEL	PISTON Ø	ENGINE OVERHAUL KIT STD	CYLINDER LINER SET (a)	PISTON (d)	PISTON RING SET (a)	LINER (e)	O-RING
DL 3, DM 4, 3/42, 4/60, 10/42, 10/60	95 mm	K0320 (3 cyl) K0324 (4 cyl)	T4529	T4544 37D976	T4548 AHM9023	T4537 37D2136	T4551 37D1857
10/42, 10/60, 345, 465, 344, 384	95 mm		T4530	T4544 37D976	T4548 AHM9023	T4538 37D1838	T4552 AMK61
345, 465, 344, 384	95 mm	K0331 (4 cyl)		T4544 37D976	T4548 AHM9023	T4539 02350163	T4552 AMK61
255, 262, 270, 272, 472, (b)	98 mm	K0328	T4532	T4545 96K570	T4549 AHM9014	T4540 86K937	T4553 (top) CAL8963 T4554 (bottom) CAL8964
285, 485, 2100, 4100, (b)	98 mm		T4532	T4545 96K570	T4549 AHM9014	T4540 86K937	T4553 (top) CAL8963 T4554 (bottom) CAL8964
272, 472, Turbo, 602, 604, 702, 704, 802, 804(c)	98 mm	K0329	T4533	T4546 96K471	T4549 AHM9014	T4540 86K937	T4553 (top) CAL8963 T4554 (bottom) CAL8964
3/42, 4/60, 10/42, 10/60	100 mm	K0322 (3 cyl) K0326 (4 cyl)	T4534	T4547 37D426	T4550 AHM9025	T4541 37D425	T4551 37D1857
10/42, 10/60, 345, 465, 384	100 mm	K0323 (3 cyl) K0327 (4 cyl)	T4535	T4547 37D426	T4550 AHM9025	T4542 37D1837	T4552 AMK61
345, 465, 384	100 mm		T4536	T4547 37D426	T4550 AHM9025	T4543 86K1190	T4552 AMK61
245, 253, 502	AD3.152			V362X AHM2188	V362RD AJR4207	V362L AHM2186	

a - for one cylinder

b - 35 mm with piston pin

c - 36,5 mm with piston pin

d - without rings

e - check the dimensions



TRACTOR MODEL		CONNECTING ROD BEARING SET (a)	MAIN BEARING SET (a)	THRUST WASHERS	SMALL END BUSH
DL 3 3/42 10/42	(c) 3-cyl.	T4558 8G2370	T4563 8G2366	T4567 37D155 + 37D154	T4555 37D3037
10/42 345	(d) 3-cyl.	T4560 8G2484	T4565 8G2483	T4568 ABU9634	T4555 37D3037
DM4 4/60, 10/60	(c) 4-cyl.	T4558 8G2370	T4563 8G2366	T4567 37D155 + 37D154	T4555 37D3037
10/60, 465, 344, 384	(d) 4-cyl.	T4560 8G2484	T4565 8G2483	T4568 ABU9634	T4555 37D3037
255, 262, 270, 282, 482 272, 472	4-cyl.	T4560 8G2484	T4565 8G2483	T4568 ABU9634	T4555 37D3037
272, 472, 602, 604, 702, 704, 802, 804	4-cyl.	T4560 8G2484	T4565 8G2483	T4568 ABU9634	T4556 (b) AHM9042
285, 485, 2100, 4100	6-cyl.	T4560 (x2) 8G2484	T4565 (x2) 8G2483	T4568 ABU9634	T4555 37D3037
245, 253, 502 Perkins AD3.152	3-cyl.	V382/3 AJR4032	V383 AJR4008	MF0700 (e) AJR4242 + AJR4240	V1962 AJR4246

a - when ordering undersize bearings, add a letter after the order number, e.g. A = 010", B = 020", C = 030"

b - piston pin diameter 36,5 mm

c - conrod sleeve Ø approx. 62 mm and main bearing sleeve Ø approx. 78 mm up to year -65i

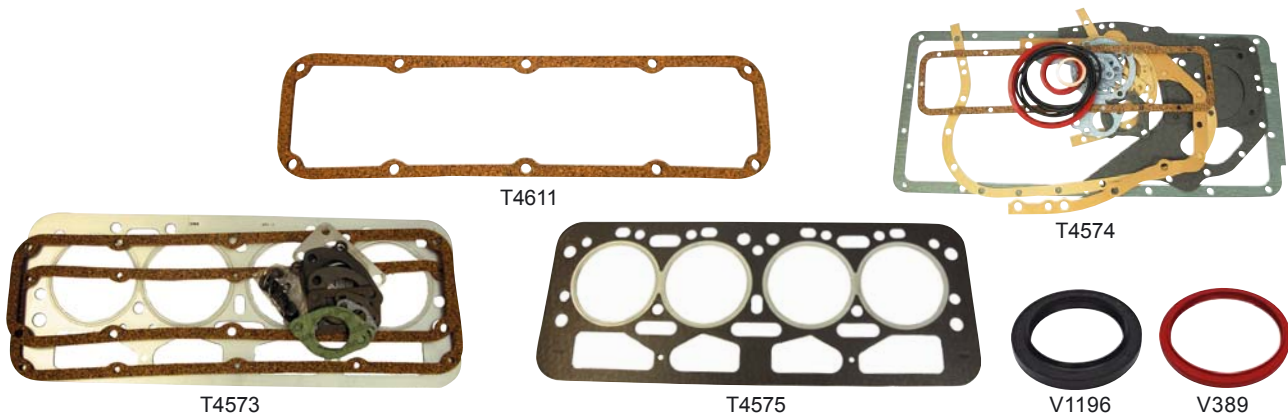
d - conrod sleeve Ø approx. 67 mm and main bearing sleeve Ø approx. 82 mm from year -66 forward

e - available also as oversize 0,007" order number **MF0700A**



TRACTOR MODEL	INLET VALVE	EXHAUST VALVE	VALVE GUIDE INLET	VALVE GUIDE EXHAUST	INLET VALVE SEAL	EXHAUST VALVE SEAL
DL 3, DM 4, 3/42, 4/60, 10/42, 10/60, 345, 465, 344, 384	T4583 AMK1567	T4584 AMK48	T4587 86K144	T4588 86K145	T4637	T4636
255, 262, 270, 272, 472, 285, 485, 2100, 4100, 602, 604, 702, 704, 802, 804	T4585 86K943 VPA1240 (e) NKJ32	T4586 HKJ2165	T4587 86K144	T4588 86K145	T4637	T4636
245, 253 Perkins 3-cyl. (AD3.152)	V10012 AJR4041	V10013 AJR4042	V596 AJR4040	V596 AJR4040		

e - **T4585** inlet valve plate 45° non-rotating
VPA1240 inlet valve plate 30° rotating



TRACTOR MODEL	TOP GASKET SET	BOTTOM GASKET SET	CYLINDER HEAD GASKET	ROCKER COVER GASKET	TIMING COVER OIL SEAL	REAR MAIN OIL SEAL
DL 3, 3/42 10/42 (a)	T4569 78G1300	T4570 (e, f) 78G1198	T4571 37D1845		T4577 BMK991	
10/42 345 (b)	T4569 78G1300	T4570 (e, f) 78G1198	T4571 37D1845		T4578 AAU6234	T4579 NKJ3472
DM4, 4/60 10/60 (a)	T4572 (c)		T4575 86K625		T4577 BMK991	
10/60, 465, 344, 384, 255, 262, 270, 272, 472, 462 (b)	T4573 78G1395	T4574 78G1258	T4575L (g) NKJ202	T4611 CMK1343	T4578 AAU6234	T4579 NKJ3472
602, 604, 702, 282, 482 704, 802, 804	T4573 78G1395	T4574 78G1258	T4575L NKJ202	T4611 CMK1343	T4578 AAU6234	T4579 NKJ3472
285, 485, 2100, 4100	T4580 78G1397		T4582		T4578 AAU6234	T4579 NKJ3472
245, 253 Perkins 3-cyl. (AD 3.152) 502	V655 AJR4215 V655 AJR4215	V656 AJR4216 V656 AJR4216	MF0378 AJR4039 MF0378 AJR4039	MF0264 MF0264	V1196 AHM2214 V1196 AHM2214	V389 (d) 2415391 V389 2415391

a - up to year -65 conrod Ø 62 mm and main bearing Ø 78 mm
b - from year -66 forward conrod Ø 67 mm and main bearing Ø 82 mm
c - complete gasket set
d - rope seal **V399**

e - the set does not include rear main oil seal
f - the set does not include timing cover oil seal
g - 10/60 **T4575**



V590



V547



V8284



MF0392



T0402



T0400



V565

TRACTOR MODEL	OIL PUMP	FUEL LIFT PUMP	FUEL TAP	FUEL CAP	INJECTOR NOZZLE	NOZZLE WASHER	LEAKAGE PIPE WASHER	INLET HEATER PLUG
DL 3, DM 4, 3/42, 4/60, 10/42, 10/60		T4506 13H3375		MF0392 ATJ3092 V710 ATJ3092	SD70114 BDLL140S6581 BMK784	T0402	T0400	V565 (a) 13H2468
345, 465, 344, 384	T4595 (b) 86K1585	T4506 13H3375	V8284 ATJ3488	MF0392 ATJ3092	SD70114 BDLL140S6581 BMK784	T0402	T0400	V565 (a) 13H2468
255, 262, 270, 272, 472	T4595 86K1585	T4506 13H3375	V8284 ATJ3488	MF0392 ATJ3092	SD70114 BDLL140S6581 BMK784	T0402	T0400	V565 (a) 13H2468
602, 604, 702, 704	T4595 86K1585	T4506 13H3375	V8284 ATJ3488	MF0392 ATJ3092	SD70114 BDLL140S6581 BMK784	T0402	T0400	V565 (a) 13H2468
2100, 4100, 285, 485		T4506 13H3375		MF0392 ATJ3092	SD70114 BDLL140S6581 BMK784	T0402	T0400	V565 (a) 13H2468
245, 253, 502	V590 AJR4120	V547 AJR4083	V8284 ATJ3488	MF0392 ATJ3092	SD70055 BDLL150S6372 5621120	T0402	T0400	V565 (a) 13H2468
802, 804, 282, 482	T4595 86K1585	T4506 13H3375	V8284 ATJ3488	MF0392 ATJ3092				

a - with screw type terminal, MF0441 with lucar type terminal
b - engine with vibration damper



RUBBER CLUTCH FOR FEED PUMP

F0018

88G448

- DL3, DM4, 3/42, 4/60, 10/42, 10/60



FIBER PLATE

T0062



TRACTOR MODEL	FAN BELT	RADIATOR CAP	THERMOSTAT	WATER PUMP	WATER PUMP REPAIR KIT
DM 3, DM 4	T4520 13H1756		T4522 13H7508		T4525 AJR4167
3/42, 4/60, 10/42, 10/60	T4520 13H1756		T4522 13H7508		T4525 AJR4167
3/45	T4519 83H397	T4031 MBU1229	T4522 13H7508	T4524 CMK2044	T4523 8G2421
4/65	T4520 13H1756 T4519 (a) 83H397	T4031 MBU1229	T4522 13H7508	T4524 CMK2044	T4523 8G2421
344	T4519 (b) 83H397	T4031 MBU1229	T4522 13H7508	T4524 CMK2044	T4523 8G2421
384	T4520 13H1756 T4519 (a) 83H397	T4031 MBU1229	T4522 13H7508	T4524 CMK2044	T4523 8G2421
245, 253, 502		F0256 MBU1229	T2041 AJR4233	V277 AHM2098	V266
255, 262, 462 270, 272, 472	T4519 83H397	T4031 (c) MBU1229 F0256 (d) MBU1229	T4522 13H7508	T4524 CMK2044	T4523 8G2421
282, 482	T4519 83H397	F0256 MBU1229	T4522 13H7508	T4524 CMK2044	T4523 8G2421
285, 485	T4519 83H397	T4031 (c) MBU1229 F0256 (d) MBU1229	T4522 13H7508	T4524 CMK2044	T4523 8G2421
602, 702, 802, 604, 704, 804	T4519 83H397	F0256 MBU1229	T4522 13H7508	T4524 CMK2044	T4523 8G2421
2100, 4100	T4519 83H397	F0256 MBU1229	T4522 13H7508	T4524 CMK2044	T4523 8G2421

- a - from engine number 22077
- b - from engine number 6306
- c - 4 Psi
- d - 7 Psi

CORE PLUGS



MF0375 0650563 - Ø 32,18 mm	F0264 - Ø 22,27 mm	MF0372 13H6432 - Ø 38,48 mm
--	------------------------------	--












TRACTOR MODEL	HOSE FOR THERMOSTAT HOUSING	HOSE FOR PUMP	TOP HOSE	BOTTOM HOSE
3/45	T4508 CMK143	V413 37D871	T4512 ATJ3177	V410 ATJ3178 T4013 (c) ATJ3539
4/65	T4508 CMK143 T4509 (a) 86K691	V413 37D871	T4512 ATJ3177	T4013 ATJ3539
344	T4508 CMK143 T4509 (a) 86K691	V413 37D871	T4512 ATJ3177 T4513 ATJ3880	T4013 ATJ3539
384	T4508 CMK143 T4509 (a) 86K691	V413 37D871	T4512 (b) ATJ3177 T4513 ATJ3880	T4013 ATJ3539
245, 253, 502	V427 AJR4182	V815 AJR4174	T4514 CTJ2033	
255, 262, 462	T4510 86K524	V413 37D871	T4513 ATJ3880	T4013 ATJ3539
270, 272, 472	T4510 86K524	V413 37D871	T4513 ATJ3880	T4013 ATJ3539
282, 482	T4510 86K524	V413 37D871	T4513 ATJ3880	T4013 ATJ3539
285, 485	T4510 86K524			
602, 604	T4510 86K524	V413 37D871	T4513 ATJ3880	T4013 ATJ3539
702, 704	T4510 86K524	V413 37D871	T4513 ATJ3880	T4013 ATJ3539
802, 804	T4510 86K524	V413 37D871	T4513 ATJ3880	T4013 ATJ3539
2100, 4100	T4510 86K524			MF0432 CTJ3105

a - from engine number 40899
 b - up to serial number 144275
 c - from serial number 107322

26.10.2007

LUCAS DYNAMO AND SPARE PARTS

				
DYNAMO	BRUSH SET	DRIVE END	BEARING	
ST0001 37H8231	ST0013 GGB102	ST0012	L6302-2RS	
				
BUSH	PULLEY	CONTROL BOX with rounded conn.	CONTROL BOX	CONTROL BOX
ST0016	ST0009 731003M1	ST0081 826788M1	ST0083 ATJ8799	ST0084

LUCAS 18 ACR 45A ALTERNATOR SPARE PARTS

						
BRUSH SET	REGULATOR	RECTIFIER	PULLEY	PULLEY	FAN	CONNECTOR SET
ST0024 836115425	ST0020 836115797	ST0021 836115798	ST0022 9,5 x 63 mm	ST0022B 12,5 x 90 mm	ST0023 836115734	ST0025



ALTERNATOR 18 ACR 45A

ST0005
35339303
- 18 ACR
- power 630W
- voltage regulator **ST0005-10**



LUCAS PLUS PAC NAP 900 ALTERNATOR

ST0210
GEU216
- universal model
- with fan and pulley
- suitable to substitute most 12 V systems
28-65 A alternators
- with w-connector
- for cars, vans, tractors and even for industrial use

04.02.2008



PART	DL 3, DM 4, (Bendix, M45G)	3/42, 4/60, 10/45, 10/60	345, 465, 344, 384, 255, 262, 270, 272, 472, 285, 485, 2100, 4100, 602, 604, 702, 704, 802, 804, 282, 284, 462
1. Starter	ST0191N (c)	ST0191N (c)	ST0191A 83H181
2. Solenoid		ST0052	ST0054 BAU1779
3. Field coil	ST0045	ST0045	ST0046A (e)
4. Brush set	ST0047 GSB101	ST0047 GSB101	ST0048 MBU1204
5. Bendix-wheel	ST0059	ST0059	ST0062
6. Bush set	ST0049 (a) ST0050 (b)	ST0049 (a) ST0050 (b)	ST0051
7. Key switch			ST0087 BAU2007
8. Switch	ST0168		
9. Rubber boot	ST0167		
10. Solenoid between cables	ST0053		

a - armature shaft diameter from drive side 12,7 mm
b - armature shaft diameter from drive side 14 mm
c - M50G starter has been changed to fit Nuffield

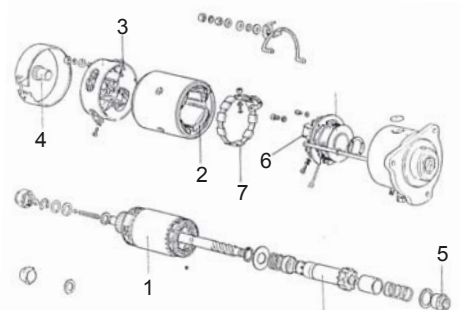
e - with two connectors
f - including all needed screws, staples, gaskets, separators, springs, balls etc.

CAV CA 45 STARTER SPARE PARTS

DL 3, DM 4, 3/42, 4/60, 10/42, 10/60

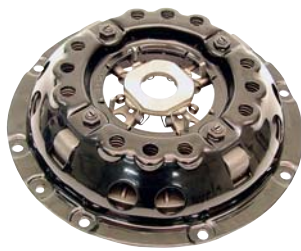
Note.

Check the starter type
when ordering parts



TYPE	1 ARMATURE	2 FIELD COILS	3 BRUSH SET	4 BUSH SET	5 NUT	6 SOLENOID NOZZLES FIXED/ MOVING	7 RESIS- TANCE	8 SOLENOID BETWEEN CABLES
CA 45 C	ST0063	ST0064	ST0065	ST0066	ST0067	ST0071		ST0053
CA 45 D	ST0063	ST0064	ST0065	ST0066	ST0067	ST0072	ST0074	ST0053

SINGLE CLUTCH



T5033



T5129



LUK500059110



LUK410002200

TRACTOR MODEL		ASSEMBLY	CLUTCH PLATE	RELEASE BEARING	PILOT BEARING
DL 3, DM 4, 3/42, 4/60, 10/42, 10/60, 345, 465, 344, 384, 255, 262, 270, 272	11"	T5033 BMK993	T5129 (a) V8740	LUK500059110 V4071 MBU1005	LUK410002200 88G622
262, 344, 384, 255, 270, 272	13"	LUK133000450 (3) BMK989	V8737 13H4818		LUK410002200 88G622

DUAL CLUTCH



LUK228008810



LUK328024510



LUK328024310



LUK500053710



LUK500019940



L6207-2RS

TRACTOR MODEL	ASSEMBLY	DRIVE CLUTCH PLATE	P.T.O. CLUTCH PLATE	DRIVE RELEASE BEARING	P.T.O. RELEASE BEARING	FLYWHEEL PILOT BEARING	OUTER PILOT BEARING
245, 253, 342, 472, 502, 602, 604, 10/60, 345, 465, 344, 384, 255, 262, 270, 272, 282, 482, 11/11"	LUK228008810 (2) 37H2447	LUK328024510 V8811 CTJ8260	LUK328024310 T5024 7H3287	LUK500053710 NT6779	LUK500019940 V4069/65 (c) NT6780	LUK410002200 88G622	L6207-2RS 88G622
285, 485, 2100, 4100, 12/12"	LUK231004141 (1) GT6348	LUK331021420 T5014 37H8183, MTK1610 LUK331012146 T4003	LUK330003516 T4002 37H8183				

- a - with HD facings
- c - **V4069/65** is economic alternative
- 1 - drive clutch plate
- 2 - P.T.O. clutch plate
- 3 - no plate

HUB GREASE

LUK414001410

- especially for clutch centres and axles





T4502



T4505



V3119

TRACTOR MODEL	FRONT WHEEL BEARING SET	FRONT WHEEL NUT	KING PIN REPAIR KIT	UPPER BUSH	LOWER BUSH	RELEASE BEARING
DM 3, DM 4, 3/42, 4/60, 10/42, 10/60		T4517 BTJ4023		V1128	T4504 ATJ4272	
3/45, 4/65, 344, 384	T4502 MBU1045 + MBU1044 + GHS144	T4517 BTJ4023	T4505	T4504 ATJ4272	T4504 ATJ4272	V3119 ATJ4275
245, 253, 255, 262, 270, 272, 282	T4502 MBU1045 + MBU1044 + GHS144	T4517 BTJ4023	T4505	T4504 ATJ4272	T4504 ATJ4272	V3119 ATJ4275
602, 702, 502, 802	T4502 MBU1045 + MBU1044 + GHS144	T4517 BTJ4023	T4505	T4504 ATJ4272	T4504 ATJ4272	V3119 ATJ4275
285, 2100		T4517 BTJ4023				



V1430



T5146



V1414



T5147



V1428

TRACTOR MODEL	OUTER	STEERING JOINTS INNER WITH PIPE	INNER WITH THREAD	STEERING JOINTS THREAD LH	STEERING JOINTS THREAD RH
3/45, 4/65, 344, 384, 245, 253, 255, 262, 272, 270, 282, 602, 702, 802, 285, 2100, 502	V1428 27H9425	V1430 27H9431	V1414 27H9421		
All FWD models				T5146	T5147

GASKET SETS

MF0570

18G8960
- for power steering cylinder

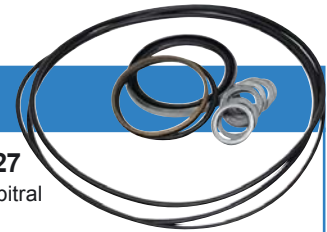


MF0567

- for power steering pump

MF0027

- for orbital valve



02.03.2007



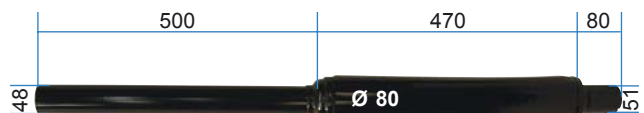
TRACTOR MODEL	BRAKE LINING SET	BRAKE DISC SET	BRAKE ACTUATOR SPRING	HYDRAULIC PUMP	P.T.O SHAFT OIL SEAL	REAR AXLE OIL SEAL
DL 3, DM 4, 3/42, 4/60	T4507 18G8323			T4607 (b) ATJ6597	T4604 NT3359	T4605 ATJ1024
10/42, 10/60		V913L 18G8239	V919 27H3503	T4607 (b) ATJ6597	T4604 NT3359	T4605 ATJ1024
345, 465, 344, 384		V913L 18G8239	V919 27H3503	T4608 (c)	T4604 NT3359	T4605 ATJ1024
255, 262, 462, 270, 272, 472, 282, 482		V913L 18G8239	V919 27H3503	T4608 (c)	T4604 NT3359	T4605 ATJ1024
602, 702, 802, 604, 704, 804						T4605 ATJ1024

b - **T4607** complete pump assy includes also filter and connectors, capacity higher than in original
 c - fitting is needed



EXHAUST PIPE

T4500
NTK229
- fits: 255, 262, 270, 272, 282, 344, 345, 384, 462, 465, 472, 482



EXHAUST PIPE

V848
NTK228
- fits: 245, 253, 502

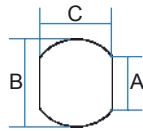
TRACTOR MODEL	BRAKE MASTER CYLINDER SEAL KIT	CLUTH MASTER CYLINDER SEAL KIT
272, 472, 502, 602, 604, 702, 704, 802, 804	MF0791 AHM9067	MF0791 AHM9067



02.03.2007

Note.

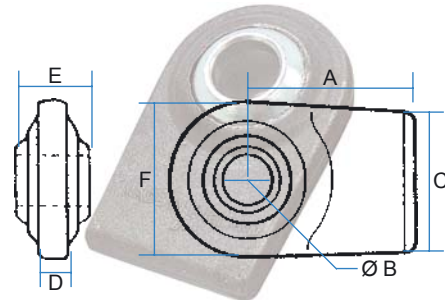
See the hydraulic levelling boxes and top links from Accessory catalogue.



LOWER LINK END BALL

	A	B	C
V4504	22,2	57,0	35,0
V4503	28,5	57,0	44,0

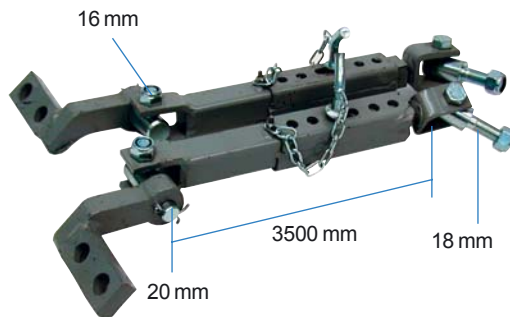
-dimensions in millimeters



LOWER LINK WELD ON END

	A	B	C	D	E	F
V8510/1	70	22,2	60	16	35	67
V8510/2	79	28,6	70	19	38	83

-dimensions in millimeters

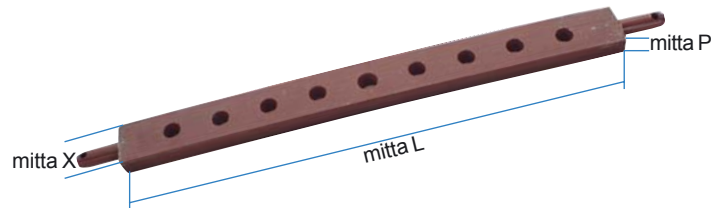


STABILIZER PAIR

T0181

ATJ9463

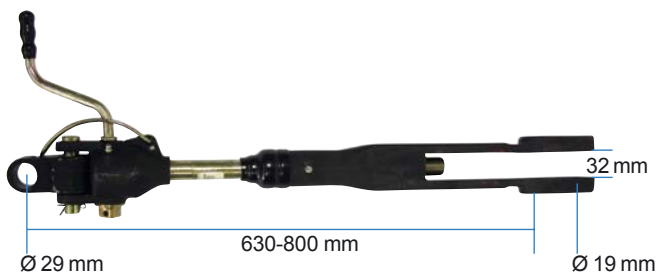
- DL3, DM4, 3/42, 4/60, 10/42, 10/60, 255, 262, 270, 272, 344, 345, 383, 465, 472



DRAW BAR

	PINS	HOLES	L	X	P
V7046	22,2	22	660	62	25
V7046/65	28,5	28	810	75	32

- dimensions in millimeters



LEVELLING BOX

T4635



WIPER BLADES

VLC3228

- Sekura cabin
- 510 mm

VLC3223

GWB162
- earlier cabins
- 410 mm

VLC3224

- later cabins
- 410 mm



GAS STRUTS

- Sekura cabins

KS0118

K303743
- for rear window

T4185

KS0115
K303741
- for roof window

T4187

KS0117
K303870
- for door



HEATER FAN MOTOR

ST0145

88G448
- in earlier cabins "Smith"



HEATER FAN MOTOR

T4161

- Sekura cabins
- length 195 mm



DOOR OUTER HANDLE

VLD1413

CTJJ667
- with lock
- distance between holes 44,5 mm

VLD1445

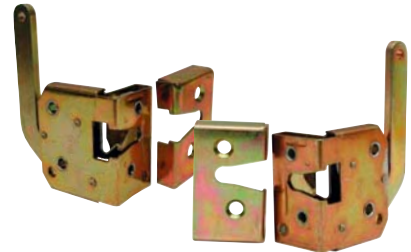
CTJ5043
- without lock
- distance between holes 36 mm



DOOR OUTER HANDLE

VLD1429

NTH474
- Explored type cabin



DOOR INNER HANDLE/ LOCK

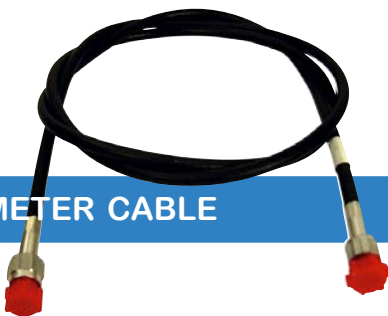
- Explored type cabin

Right

VLD1438
NTH121

Left

VLD1436
NTH120



TRACTOR METER CABLE

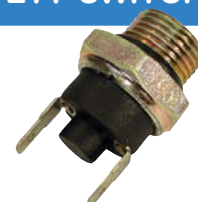
VPM5240

ATJ8544, ATJ8543
- 245, 344, 262, 272, 282, 462, 472, 482, 270, 285, 2100, 485, 4100, 502, 602, 604, 702, 704, 802, 804
- **not suitable for Sekura cabins**
- total length 176 cm

GEAR BOX SAFETY SWITCH

VPM6007

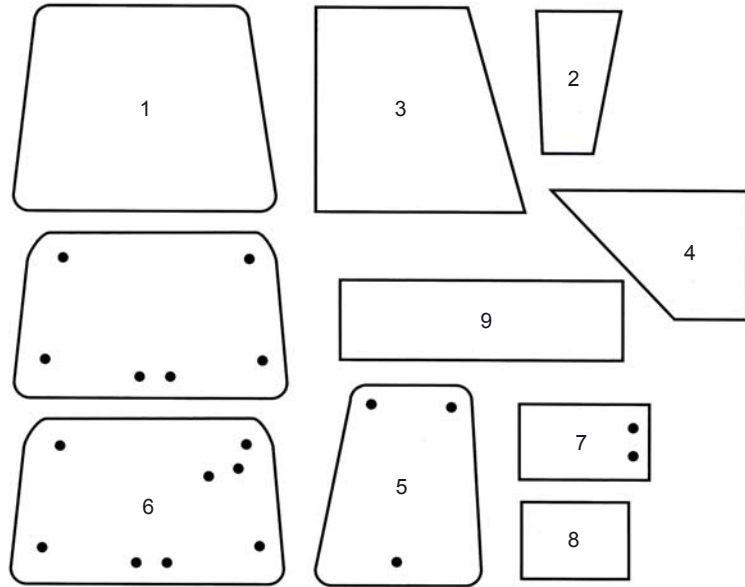
13H2024



08.01.2007

Leyland

602, 604, 702, 704, 802, 804



	ORDER NO	WINDOW	DESCRIPTION	ORIGINAL PART NO	SIZE mm (height x width x thick.)	TINT	FIXING
1	T4219 (b)	windscreen	curved	K262895	1230 x 755 x 5	tinted	GR
2	T20062	lower front	RH, curved	K262897	548 x 298 x 5	tinted	GR
2	T20063	lower front	LH, curved	K303689	548 x 298 x 5	tinted	GR
3	T20064	upper door	RH, curved	K303700	810 x 665 x 5	tinted	GR
3	T20065	upper door	LH, curved	K303701	810 x 665 x 5	tinted	GR
4	T20066 (c)	lower door	RH, curved	K262938	800 x 590 x 5	tinted	GR
4	T20067	lower door	LH, curved	K303703	800 x 590 x 5	tinted	GR
5	T20068	side window	RH, 3 holes, curved	K303704	630 x 570 x 5	tinted	K/BLT
5	T20069	side window	LH, 3 holes, curved	K303705	630 x 570 x 5	tinted	K/BLT
5	T4638 (a)	side window	LH & RH, 3 holes	NTH184/5	636 x 613 x 5	tinted	K/BLT
6	T4212	upper rear	8 holes	K312000	1220 x 685 x 5	tinted	K/BLT
7	T20070	lower rear	sliding, 2 holes	K303707	437 x 325 x 5	tinted	F
8	T20071	lower rear	fixed	K303706	437 x 330 x 5	tinted	F
9	T20072	lower rear	one piece	K303950	832 x 329 x 5	tinted	GR

b - replaces number K303699
c - replaces number K303702

Fixing:
B = bonded
BLT = bolt on
F = framed
GR = glazing rubber
K = knock on rubber

WINDSCREEN GLUE SET

HK269

- dispensed cold, non-drip
- max. sticking time 25 min
- ready for driving in 2 hours
- set includes: cleaning agent 20 ml, cleaning linen, primer 10 ml, primer-spreader, glue 310 ml





TRACTOR MODEL	ENGINE OIL FILTER	FUEL FILTER	AIR FILTER	HYDRAULIC FILTER	STEERING PUMP FILTER
UNIVERSAL, 4M, 4PM 3 and 4 "Perkins"	TF5002 8G2300				
DL 3, DM 4	TF5005 (a) 8G2000 TF5066 17H1784	TF7015			
342, 460	TF5017 8G2300	TF7015 and TFCAV296 (a) MPCAV296 (a) 37H1581 TF7096 37H982			
3/45, 4/45, 4/65 10/42, 10/60	TF5005 (a) 8G2000 TF5017 8G2300	TF7015 and TFCAV296 MPCAV296 37H1581			
345, 465	TF5005 8G2000	TFCAV296 MPCAV296 37H1581			
244, 344, 384	TF5005 8G2000	TFCAV296 MPCAV296 37H1581	TF2125 37H4920 TF2125-2 (inner)	TF5011-1	TF5147 37H1434
245, 253	TF5007 (b) AJR4135 TF4077 AHM2094	TFCAV296 MPCAV296 37H1581	TF2125 37H4920 TF2125-2 (inner)		TF5151 37H7687 TF5147 37H1434
255, 270	TF5005 8G2000	TFCAV296 MPCAV296 37H1581	TF2125 37H4920 TF2125-2 (inner)		TF5147 37H1434
262, 462, 282 272, 472, 482	TF5005 8G2000	DFP556287 37H7937	TF2125 37H4920 TF2125-2 (inner)		TF5147 37H1434
285, 485, 2100, 4100	TF5010-1	TFCAV296 (a) MPCAV296 (a) 37H1581 DFP556287 37H7937	TF21005	T4528 (c)	TF5147 37H1434
602, 702 604, 704	TF5005 8G2000	DFP556287 37H7937	TF2125 37H4920 TF2125-2 (inner)	T4528 (c)	TF5147 37H1434
802, 804	TF5005 8G2000	DFP556287 37H7937	TF2231 BAU1895	T4528 (c)	TF5147 37H1434

a - see the dimensions table

b - TF5007 cartridge type, TF4077 spin-on type

c - suction filter

DIMENSIONS

ORDER NO.	HEIGHT mm	OUTER Ø mm	INNER Ø mm
TF5005	140	72	33
TF5017	107	72	33
TF5066	99	72	10 / 34
DFP556287	113	88	22 / 19
TF7096	105	63 / 85	13 / 0
TF7015	87	72	33
TFCAV296	72	87	22 / 19
MPCAV296	72	87	22 / 19



CABIN AIR FILTER

TF2339

- Sekura "rounded"