

H 1



04.02.2008

Volvo engine overhaul kits STD include:

pistons, piston rings, liners, top and bottom gasket sets, conrod bearings STD, main bearings STD



K1000



V374X

V386R

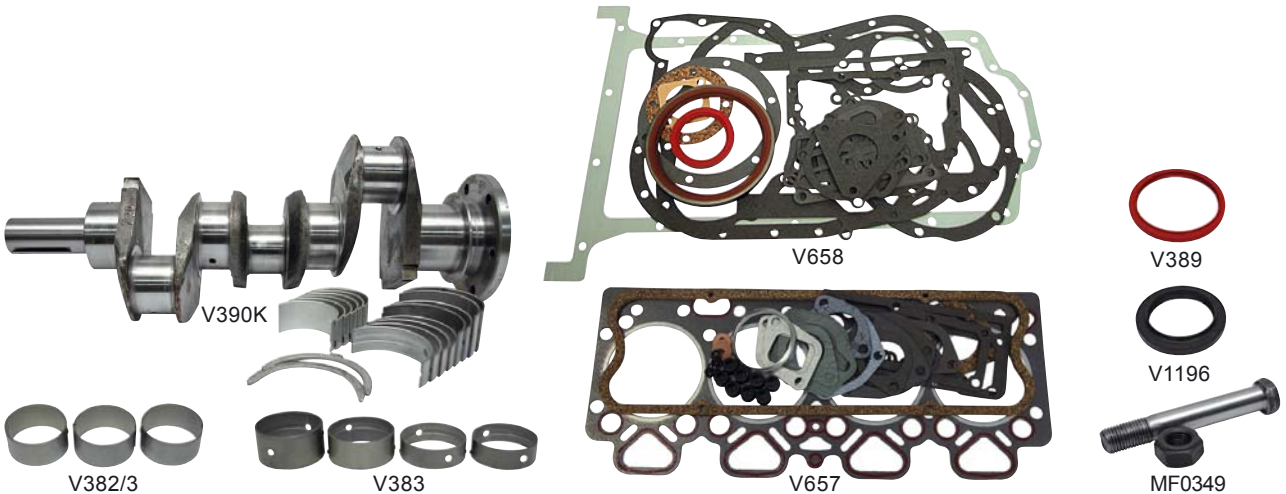
MF0313

V1962

MF0343

MF0347

TRACTOR MODEL	ENGINE OVERHAUL KIT STD	PISTON	PISTON RING SET	LINER	SMALL END BUSH	CONROD	CONROD NUT
320 (A3.152)	K0005 K0006	V374X 734460M91	V374R (a) 745918M91 V362RD (b) 745818M91	V374L (a) 732638M1 V362L (b) 739043M1	V1962 740407M1	MF0343 3637439M91	MF0347 1476245
400, 430 (AD3.152)	K0009	V362X 743824M91	V362RD 745818M91	V362L (h) 739043M1	V1962 740407M1	MF0344 3637392M91	MF0347 1476245
500 (A4.236)	K0013	V386X 735187M91	V386R 745747M91	MF0313 (h) 744948M1	V1963 733767M1	MF0345 3637034M91	MF0348 3637030M1
BM 350 (1113) BM 600 (1113A)			T6535 BM-778900				



V390K

V658

V389

V382/3

V383

V1196

V657

MF0349

TRACTOR MODEL	CONROD BOLT	CONROD BEARING SET	MAIN BEARING SET	CRANK-SHAFT WITH BEARINGS	TIMING COVER OIL SEAL	REAR MAIN OIL SEAL	TOP GASKET SET	BOTTOM GASKET SET
320, (A3.152)	MF0349 375756	V382/3 (k) 737070M91	V383 (k) 746156M91	V390K (c) 4222037M91	V1196 1447689M1	V399 (c) 4224057M1	V800/3A 4222532M91	V656 4222817M91
400, 430 (AD3.152)	MF0349 375756	V382/3 (k) 737070M91	V383 (k) 746156M91	V390K (c) 4222037M91	V1196 1447689M1	V399 (c) 4224057M1	V655 4222480M91	V656 4222817M91
500, (A4.236)		V388 (k) 736950M91	V387 (k) 735168M91	V403K (d) 3637402M91	V1198 1447690M1	V389 (d) 2415391	V657 4224186M91	V658 747191M91
BM 350 (1113) (m) BM 600 (1113A) (m)		T6534 BM-B30455A	T6533 BM-270377				T6536 BM-CF610	

a - with chrome liners
b - with cast iron liners, prefabricated liner
c - rope seal rear

d - lip seal rear
h - prefabricated liner with flange

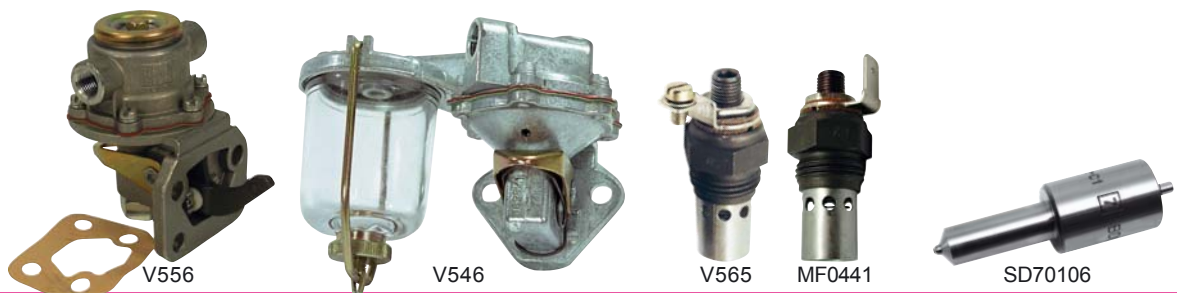
k - also undersized bearings
m - oil sump gasket **T6537** (BM-722806)



TRACTOR MODEL	INLET VALVE	EXHAUST VALVE	VALVE SPRING	VALVE GUIDE	VALVE SEAL	VALVE COLLET
320 (A3.152)	V10009 731151M1	V10008 731152M1	V10019 731154M1	V596 745533M1	MF 0261 736185M1	MF0311 731155M1
400, 430 (AD3.152)	V10012 732811M1	V10013 737640M1	V10019 731154M1	V596 745533M1	MF 0261 736185M1	MF0311 731155M1
500 (A4.236), 2250, 2254, 2200, 2204	V10024 739027M1	V10025 747552M1	V10029 outer 735521M1 V10028 inner 735525M1		MF0260 3637041M1	MF0312 736453M1



TRACTOR MODEL	CYLINDER HEAD	OIL PUMP	OIL PUMP GEAR	CRANK-SHAFT FRONT GEAR	THERMOSTAT	TOP HOSE
320 (A3.152)	V11000 3638321M91		MF0192 733551M92	MF0130 0410132	T2041 1446222M91	
400, 430 (AD3.152)	V11001 4222810M91		MF0192 733551M92	MF0130 0410132	T2041 1446222M91	T2244 (c)
500 (A4.236), 2250, 2254, 2200, 2204		V890 (a) 746432M91			T2041 1446222M91	



TRACTOR MODEL	FUEL LIFT PUMP	HEATER PLUG	INJECTOR NOZZLE
320 (A3.152)	V546 4222094M91	V565 (b) 893501M91 MF0441 3583543M2	SD49133 BDLL110S6133
400, 430 (AD3.152)	V546 4222094M91	V565 (b) 893501M91 MF0441 3583543M2	SD70055 BDLL150S6372
500 (A4.236), 2250, 2254, 2200, 2204	V556	V565 (b) 893501M91 MF0441 3583543M2	SD70106 BDLL150S6561

a - complete vibration damper unit

b - V565 screw type, MF0441 lucar type

c - only 430



TRACTOR MODEL	ENGINE TYPE	WATER PUMP	REPAIR KIT
320 400 430	A3.152 AD3.152	V268 (c) 81718104	V270 754108
500, 2250, 2254, 2200, 2204	A4.236	V8579 3637411M91	V8580A 3637482M91
2600, 2650, 2654		T5539 4774718-3	
BM350 BOXER BM600 BOXER		T6507 772781	T6510
BM470		T6507 772781	T6510
LM621, LM622 LM641, LM642 LM646 BM650 LM840, LM841	D42A D45 D45B		T6511 754569
BM650 TURBO BM700			T6512 6630337
BM861 BM4400 BM4400S, BM4400C BM4500, BM4500S	TD60B TD70H		T6513

a - hole 63 mm

b - 4-bolts fastening

c - Economic-model **V628A**

EXHAUST PIPES



T6514

47011374
- fits: 320, 400, 430
- engine types A3.152
and AD3.152

T6515

7806771
- fits: BM350 Boxer,
BM600 Boxer

T6516

7872492
- fits: BM650 Turbo,
BM700, BM800
- 4-bolts fastening

T6517

47790340
- fits: 500, 2250, 2254,
2200, 2204
- engine type A4.236
- hole 63 mm

15.06.2007



LUK128024550



LUK328017546



LUK323022046



LUK500045900



V916

TRACTOR MODEL	CLUTCH ASSEMBLY	DRIVE CLUTCH PLATE	P.T.O CLUTCH PLATE	RELEASE BEARING	BRAKE DISC SET
320, 400 single clutch	T6532 (3)	T0019		T6522	
320, 400 dual clutch	LUK228005742 (j,2)	LUK328024510	LUK323022046	LUK500036150 (q) or LUK500045900	T0008
430 dual clutch	LUK228005742 (j,2)	LUK328024510	LUK323022046	LUK500036150 (q) or LUK500045900	T0008 (e) V913L (f)
500, 2200, 2204, 2250, 2254	LUK128005540 (3) LUK128005541 (a,3)	LUK328017546 (b) LUK328017541 (c) LUK328017542 (d)		LUK500036150	T2097 (a) 114622C2
650, 700, 621, 641	T6521	T6503 (h)			V916 6630369
800, 814		T6503 (h)			T6002
T800, T810, T814 DS851, SM870, 871		T5163 (p)			
2650, 2654		T5163 (p) T5164 (m)			

a - HD model

b - organic surface

c - 6 pads ceramic

d - 8 pads ceramic

e - 5 1/2"

f - 6 1/2"

h - **T6503C** ceramic

m - Intercooler

p - 15" x 38 mm x 102

q - inner Ø **LUK500045900** 50 mm, **LUK500036150** 60 mm

j - includes organic P.T.O clutch plate

2 - P.T.O clutch plate

3 - no plate



T2102

MF0041



T2163



T2427

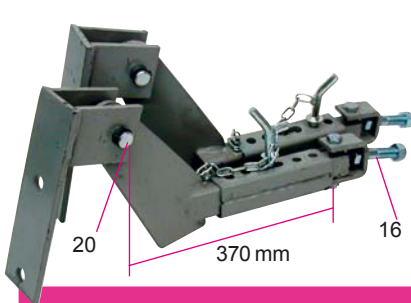
TRACTOR MODEL	HAND BRAKE BAND	ACTUATOR ASSEMBLY	P.T.O HYDRAULIC CLUTCH PLATE SET	TORQUE AMPLIFIER REPAIR KIT	P.T.O SHAFT
650, 700		MF0041 764805M92			
500, 2200, 2204, 2250, 2254	T2102 6647005		T2163 66193C91	T2161	T2427 1500087C1

H1.04



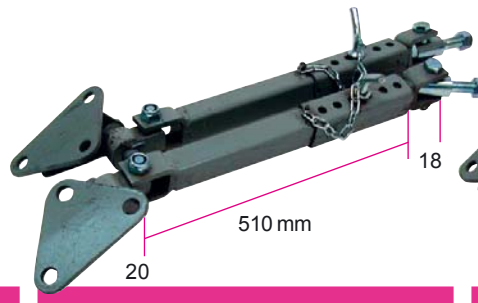
TRACTOR MODEL	KING PIN	FRONT WHEEL BEARING SET	KING PIN REPAIR KIT	FRONT SUPPORT BUSH SET	STEERING JOINT
320	T6520 (n) BM741749				
400, 430	T6520 (n) BM741749				T6508
500, 2200, 2204, 2250, 2254		T2064 1094034R93	T2108	T2088	T0005 or 6647659 T0006 or 4703828 T2072 (i) 6647659

i - **T0005** with notch, **T0006** with thread, **T2072** complete
n - with keyway, thickness 32 mm



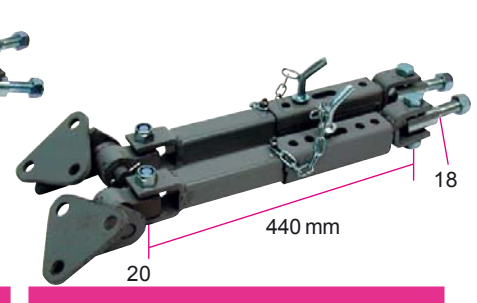
STABILIZER PAIR
Volvo 320

T0383
- inner pipe 30 x 30 mm
- pin 12 mm



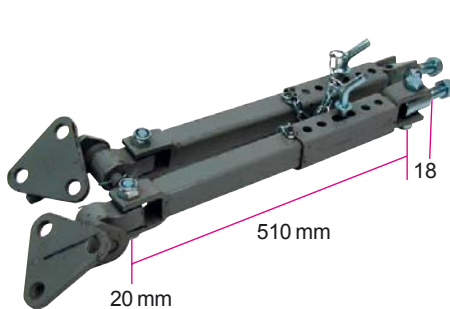
STABILIZER PAIR
Volvo 350

T0382
- inner pipe 30 x 30 mm
- pin 12 mm



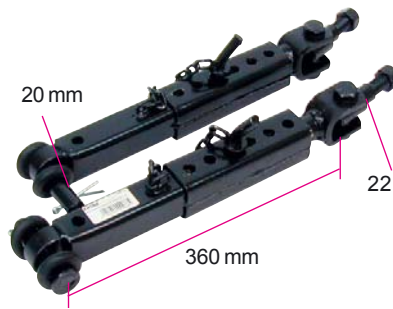
STABILIZER PAIR
Volvo 400

T0183
- inner pipe 30 x 30 mm
- pin 12 mm



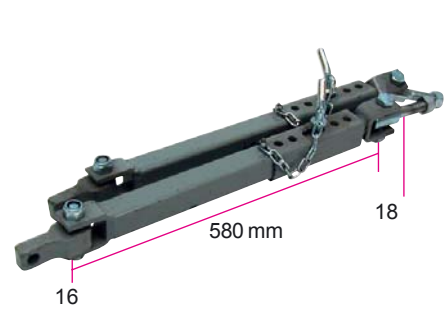
STABILIZER PAIR
Volvo 430

T0184
- inner pipe 30 x 30 mm
- pin 12 mm



STABILIZER PAIR
Volvo 500

T0180
- inner pipe 30 x 30 mm
- pin 12 mm



STABILIZER PAIR
Volvo 650

T0381
- inner pipe 30 x 30 mm
- pin 12 mm

STEERING ARM

Volvo 2600, 2605

T5504

4714885-3



02.03.2007



V134



ST0224

TRACTOR MODEL	RING GEAR	STARTER
320 (A3.152)		ST0223 (d) or ST0224 (c) BM-500 BM-521
400 (AD3.152)		ST0223 (d) or ST0224A (c) BM-500
430 (AD3.152)		ST0223 (d) or ST0224 (c) BM-500 BM-521
500 (A4.236), 2550, 2254, 2200, 2204	V134 73100078	ST0192
350, 600, 650, 800, 810, 814, 900		ST0224 (c)



T6505



T6504



T6506



T2278

TRACTOR MODEL	MODEL/FASTENING	HYDRAULIC PUMP
320, 400 and 600	<ul style="list-style-type: none"> - later model, 14 splines - with long drive shaft 83 mm - fasten with 3 screws - rotating clockwise 	T6505 (a)
430, 650, 700	<ul style="list-style-type: none"> - fasten with 2 screws - used fastening flange with bearings and bolts from the old pump 	T6506 (a,b)
500, 2200, 2204, 2250, 2254		T2278

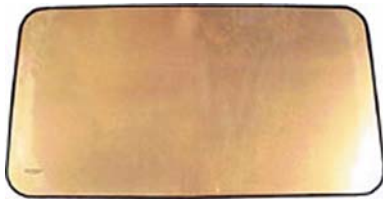
- a - capacity higher than original, all necessary parts included
- b - when installing, take off the black front plate and two screws
- c - **ST0224** 9 teeth, **ST0224A** 11 teeth
- d - 11 teeth

15.06.2007



TRACTOR MODEL	ENGINE TYPE	ENGINE OIL FILTER	FUEL FILTER	AIR FILTER	HYDRAULIC FILTER
BM24, BM25, BM230 Viktor		TF5001	TF7004		
BM35, BM36	1053	TF5041 BM-6603379	TF7022 / TF7023		
BM36		TF5009 BM-26540154	TF7004		
BM55	1054	TF5041 BM-6603379	TF7022 / TF7023 / TFCAV296 (x2) / MPCAV296 (x2)		
BM Teddy, BM200, BM210		TF5005	TFCAV296 MPCAV296		
BM230	1052	TF5001	TF7022		
308	TD100	TF4015		TF2156	
BM VHK 310	D70	TF4015	TFCAV296 MPCAV296		
BM320	D913	TF5007 BM-6612069	TFCAV296 (x2) MPCAV296 (x2)		
BM350	1113	TF5041 / TF4085 BM-6603379 / BM-6612598	TF7022 (a) / TF8018 (b)		
BM400	D913	TF5007 BM-6612069	TFCAV296 (x2) MPCAV296 (x2)		TF5041 BM-784592
BM430	D25	TF5007 / TF4077 BM-6612069 / BM-6613010	TFCAV296 MPCAV296		TF4121 (mm)
BM470	1114	TF5041 / TF4085 BM-6603379 / BM-6612598	TF7022 (a) / TF8018 (b)		
BM500	D39T	TF5002 / TF4076 BM-795097	TFCAV296 (x2) MPCAV296 (x2)	TF2198	
BM600	1113A	TF4085 BM-6612598	TFCAV296 (x2) MPCAV296 (x2)		
BM631		TF4085 BM-6612598	TF7022		
BM 650, BM700	D42, TD42	TF4124 BM-6612598	TFCAV296 (x2) MPCAV296 (x2)	TF2140 / TF2198	
T800, T810, T814		TF4085 / TF4015 BM-6612598		TF2197	
BM800	D50	TF4015	TF7022 (a) / TF8018 (b)		
BM800	D60A	TF4015	TF6054		
BM810, BM814	TD50A	TF4015	TF7022 (a) / TF8018 (b)	TF2197	
BM810, BM814	TD60A	TF4015	TF6054		TF4015 (h)
BM2200, BM2204, BM2250, BM2254	Perkins 4.236	TF4076	TFCAV296 (x2) MPCAV296 (x2)	TF2198	
BM2650, BM2654	TD60	TF4015		TF2197	

- a - fine
- b - rough
- mm - torque converter
- h - hydraulic



REAR WINDOW

T6523

BM-782357

- fits: BM500, 600, 700, 2200, 2204, 2250, 2254



WINDSCREEN

T6524

BM-782351

- fits: BM500, 650, 700, 2200, 2204, 2250, 2254

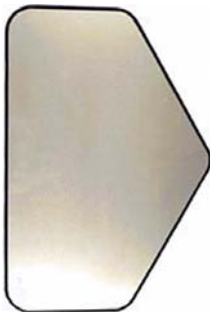


UPPER DOOR WINDOW

T6525

BM-782353

- fits: BM500, 650, 700, 2200, 2204, 2250, 2254



LOWER DOOR WINDOW

T6526

BM-782354

- fits: BM500, 650, 700, 2200, 2204, 2250, 2254



SIDE WINDOW

T6527

BM-782355

- fits: BM500, 650, 700, 2200, 2204, 2250, 2254



SIDE WINDOW openable

T6529

BM-782356

- fits: BM500, 650, 700, 2200, 2204, 2250, 2254



SMALLER LOWER REAR WINDOW

T6530

BM-782771

- fits: BM500, 650, 700, 2200, 2204, 2250, 2254



SMALLER LOWER REAR WINDOW

T6531

BM-782772

- fits: BM500, 650, 700, 2200, 2204, 2250, 2254

