



www.ikh.fi

DOOR FITTINGS

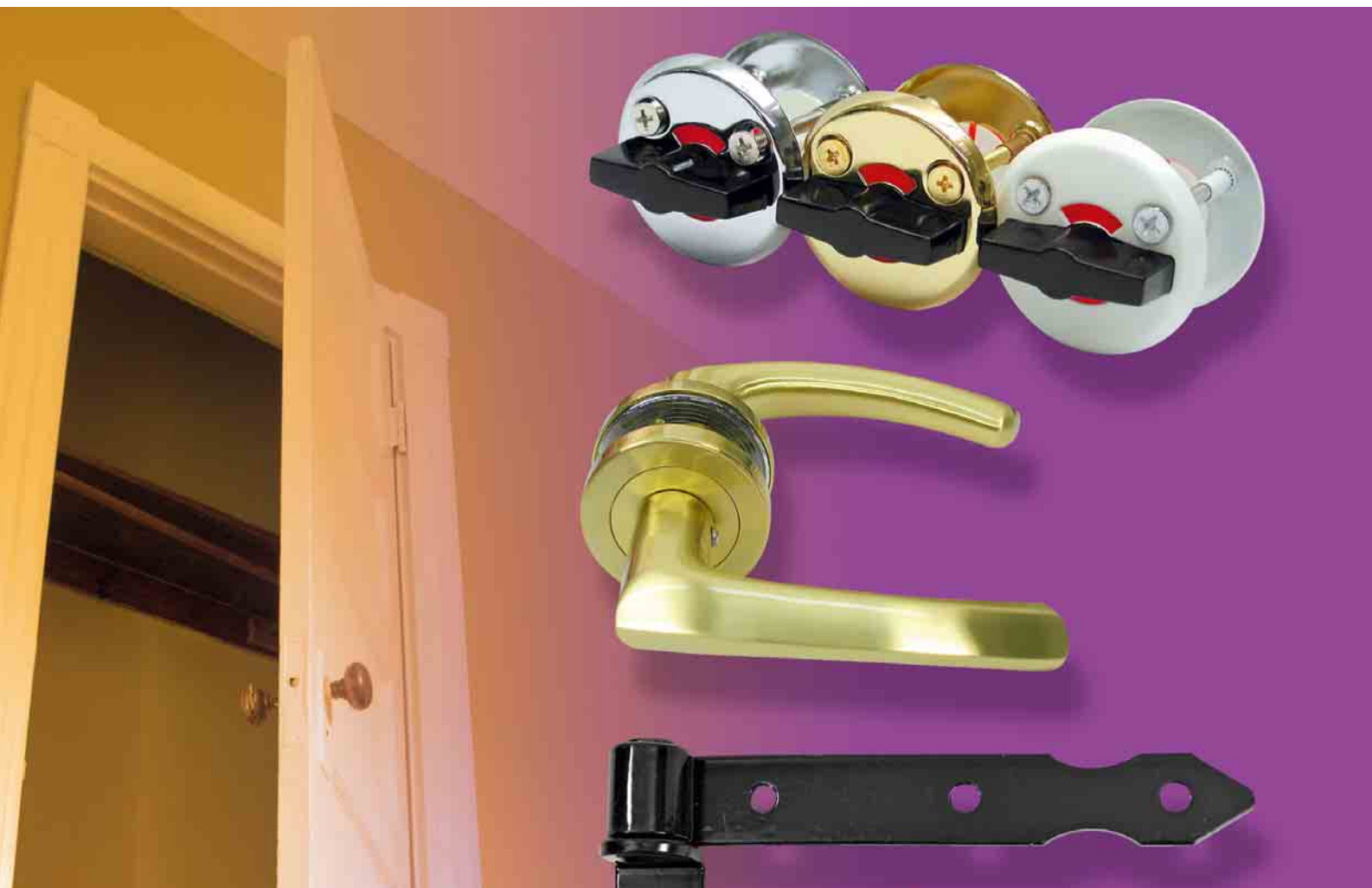




www.ikh.fi

30. DOOR FITTINGS

Angled door stop	16	Latch pin	14
Anti-pick plate	5	Latches	3, 4
Baluster support hooks	14	Lock bodies	11
Cover plates	13	Lock cylinders	11
Cylinder plate	13	Multi-level mouldings	14
Door handles	12, 13	Padlock fitting pairs	5
Door holders	15, 16	Padlocks	5
Door loop	16	Pre-lock latch	5
Door pumps	15	Security chains	5
Door spring	15	Sill mouldings	14
Door stoppers	15-16	Sliding door equipment	18-19
Edge lock plunger	12	Sliding door roll	17
Escape door bolts	3	Staples	2
Frontal stops	16	Striking plates	11
Garage door opener with transmitter	17	Toilet turning knobs	13
Hasps	2	Window handles	14
Hinges	6-10	Window hing bolts	14
Key rings	5	Window lock	14
Keyhole plates	13	Window plates	14





HASP PAIRS

- with mounting and counter loop
- zinc coated
- packing size: 1/20/200



Order no.	Size	Pcs/pack.	EAN
KT022	50 mm	2	6418914698796
KT023	60 mm	2	6418914698802
KT024	80 mm	2	6418914698819
KT025	100 mm	2	6418914698826
KT026	140 mm	2	6418914698833
KT027	180 mm	2	6418914698840

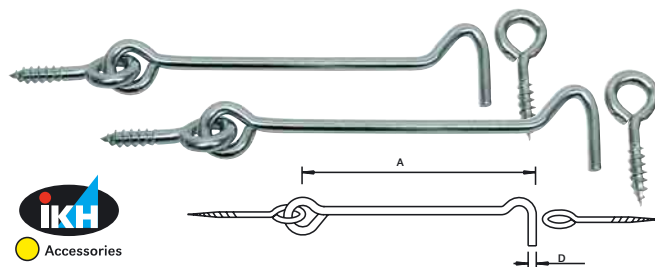


HASP PAIRS

- with mounting- and counter loop
- surface treatment: ME
- packing size: 1/20



Order no.	Length mm	Thickness mm	Pcs/pack.	EAN
HE0038	50	3,4	2	6416224004177
HE0039	75	3,8	2	6416224004252
HE0040	100	3,8	2	6416224004290



HASP PAIRS

- with mounting- and counterloop
- surface treatment: FE/ZN
- packing size: 1/20

Order no.	Length mm (A)	Thickness mm	Pcs/pack.	EAN
B0031	50	3,4	2	6418914160637
B0032	75	3,8	2	6418914500020
B0033	100	3,8	2	6418914500037
B0034	150	5,0	2	6418914500044
B0035	200	5,0	2	6418914500051
B0036	250	5,0	2	6418914500068
B0037	300	5,0	2	6418914500075

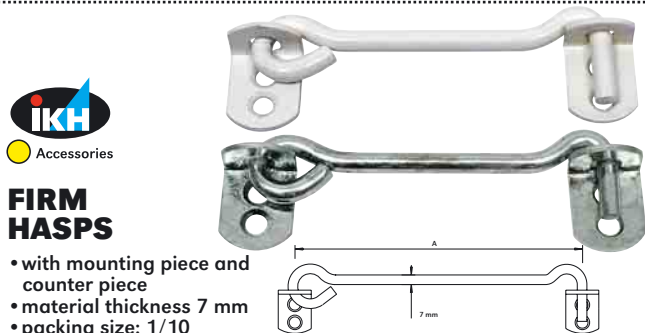


HASP PAIR

- packing size: 1/12/60



Order no.	Size	Pcs/pack.	EAN
KT063	300 mm	2	6418914705685



FIRM HASPS

- with mounting piece and counter piece
- material thickness 7 mm
- packing size: 1/10

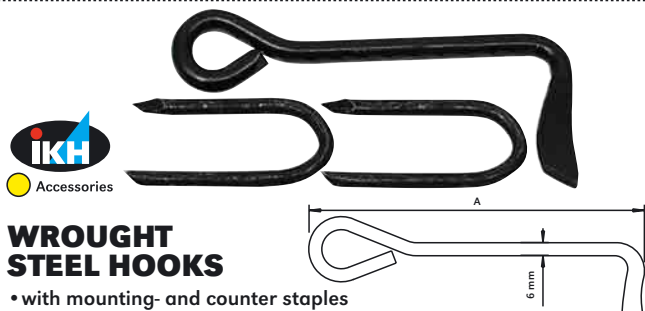
Order no.	Length mm	Surface treatment	EAN
HE0025	100	FE/ZN	6416224125001
HE0026	200	FE/ZN	6416224127005
HE0027	300	FE/ZN	6416224128002
HE0028	100	FE/ZN, white	6416224562004
HE0029	200	FE/ZN, white	6416224558007
HE0030	300	FE/ZN, white	6416224554009



WROUGHT STEEL STAPLES

- for mounting hooks, cables etc.
- surface treatment: FE/black-passivated
- 2 pcs/package
- packing size: 1/20

Order no.	Length mm (A)	Thickness mm (d)	B mm	EAN
HE0046	75	5	25	6416224121003
HE0047	100	6	31	6416224122000



WROUGHT STEEL HOOKS

- with mounting- and counter staples
- surface treatment: FE/black-passivated
- packing size: 1/20

Order no.	Length mm	EAN
HE0041	100	6416224113008
HE0042	125	6416224114005
HE0043	150	6416224115002

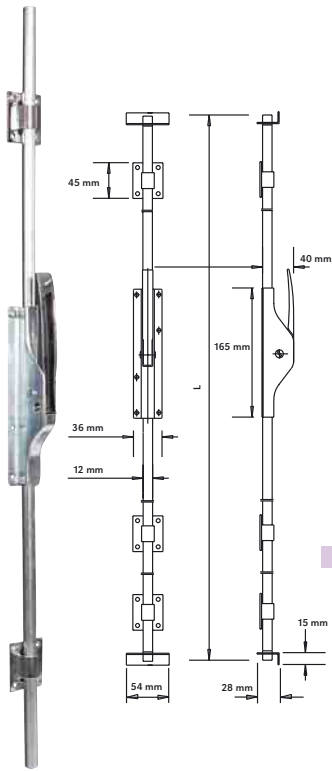


PADLOCK HOOKS

- lockable with padlock
- with mounting- and counter staples
- surface treatment: FE/black-passivated
- packing size: 1/20

Order no.	Length mm	EAN
HE0044	100	6416224116009
HE0045	125	6416224117006

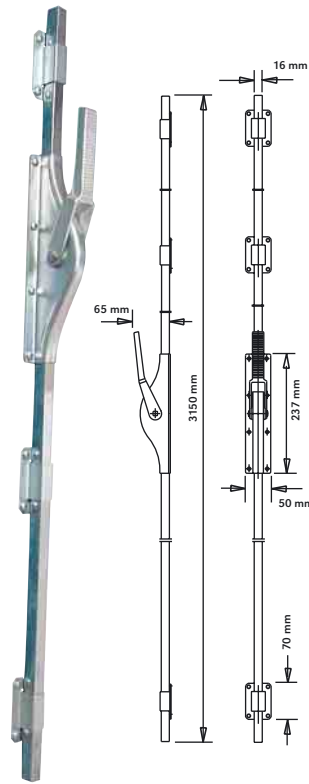
Abbreviations: FE = steel ME = brass/brassed AL = aluminium ZN = zinc coated CR = chrome plated



ESCAPE DOOR BOLT 1/3 with rods

HE0001

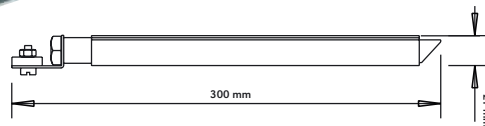
- mounting on the surface of door
- for double doors of escape doors, stockroom- and garage doors
- surface treatment
-button FE/CR
-other parts FE/ZN
-rod FE/ZN
- L = 2450 mm
- packing size: 1/3
EAN 6416224007000



ESCAPE DOOR BOLT 2/3 with rods

HE0002

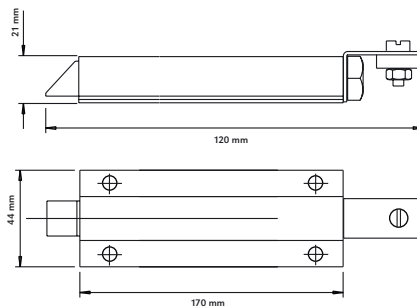
- mounting on the surface of door
- for the doors of halls and stocks
- movement of rods 28 mm
- surface treatment: FE/ZN
- packing size: 1
EAN 6416224025004



ESCAPE DOOR BOLT PAIR 7 with wire

HE0004

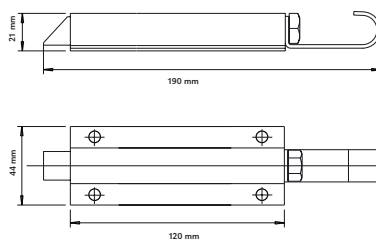
- wire bolt for big horizontal -or folding doors
- length of wire 3 m (standard)
- the wire works also as handle
- the latch of bolt is rotational with 90 degree pitch
- surface treatment: ZN
- packing size: 1
EAN 6416224080003



ESCAPE DOOR BOLT PAIR 9 with wire

HE0005

- wire bolt for big horizontal -or folding doors
- length of wire 3 m (standard)
- the wire works also as handle
- the latch of bolt is rotational with 90 degree pitch
- surface treatment: FE/ZN
- packing size: 1/5
EAN 6416224082007

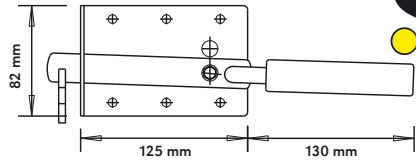
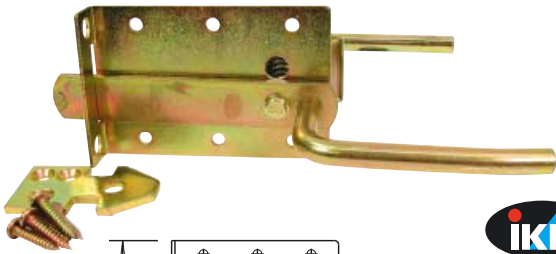


ESCAPE DOOR BOLT 8, with hatches

HE0006

- bolt for outward opening doors and hatches
- self-locking
- surface treatment: FE/ZN
- packing size: 1/5
EAN 6416224081000

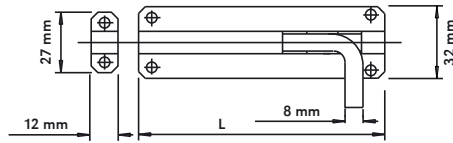
Abbreviations: FE = steel ME = brass/brassed AL = aluminium ZN = zinc coated CR = chrome plated



GATE LATCH

B0007

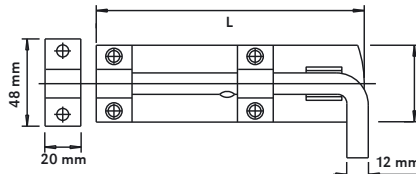
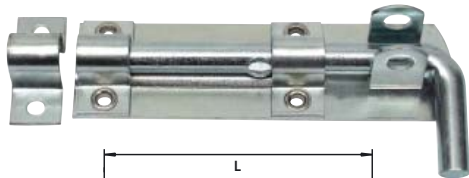
- latch for doors and gates
 - for both right -and left -handed doors
 - lockable with padlock
 - handles on both sides
 - surface treatment: zinc coated, yellow-passivated steel
 - packing size: 1/10
- EAN 6418914160552



CANE BOLTS

- for doors and hatches
- for both right -and left -handed doors
- surface treatment: FE/ZN
- packing size: 1/10

Order no.	Length L	EAN
B0008	80 mm	6418914500617
B0009	110 mm	6418914500624

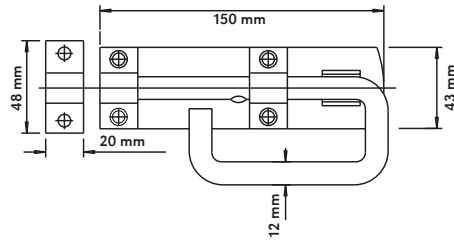


Lockable CANE BOLTS

- for doors and hatches
- for both right -and left handed doors
- lockable with padlock
- surface treatment: FE/ZN
- packing size: 1/5



Order no.	Size	EAN
B0010	150 mm	6418914160583
B0011	200 mm	6418914500631
B0012	250 mm	6418914160606
B0013	300 mm	6418914160613



Lockable CANE BOLT WITH PULL 150 mm

B0014

- bolt equipped with puller for hatches and gates
 - no handedness
 - lockable with padlock
 - surface treatment: FE/ZN
 - packing size: 1/5
- EAN 6418914160620



JOINT LATCHES

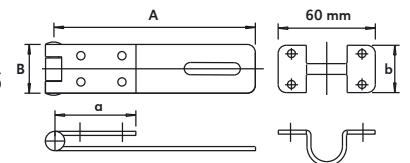
- zinc coated

Order no.	Size	Packing size	EAN
KT051	89 mm	1/20/200	6418914699083
KT052	114 mm	1	6418914699090

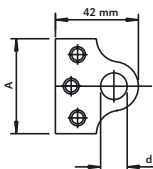


SAFETY HASPS

- for doors and hatches
- lockable with padlock
- material thickness
- surface treatment: FE/ZN



Order no.	A mm	B mm	a mm	b mm	Pack. size	EAN
HE0019	100	25	40	24	1/20	6416224102002
HE0020	130	30	50	29	1/10	6416224103009
HE0021	155	45	60	44	1/10	6416224104006



PADLOCK FITTING PAIRS

- surface treatment: FE/ZN
- packing size: 1/20

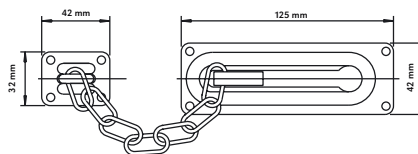
Order no.	A mm	Material mm	d mm	EAN
HE0015	50	2	16	6416224100008
HE0016	60	2	17	6416224101005



PRE-LOCK LATCH

- zinc coated
- packing size: 1/20/200

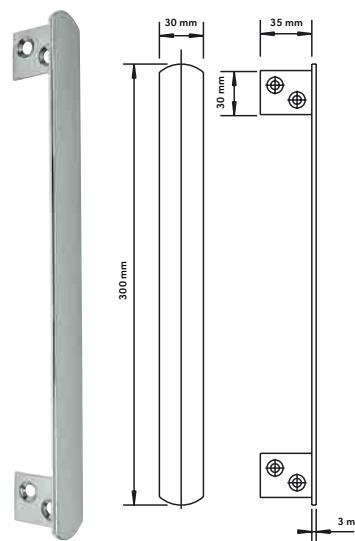
Order no.	Size mm	d mm	Pcs/pack.	EAN
KT050	55	13	2	6418914699076



SECURITY CHAINS

- for apartment doors
- packing size: 1/6

Order no.	Surface treatment	EAN
HE0023	FE/CR	6416224006522
HE0024	FE/ME	6416224001886



ANTI-PICK PLATE 300 mm

HE0022

- for non-rapped doors
- prevents entering to lock bolt
- surface treatment: FE/CR
- packing size: 1/10
- EAN 6416224105003

PADLOCKS

- hardened loop
- packing size: 1



- brass
- with 4 keys

Order no.	Size	EAN
BW001	40 mm	6418914711822
BW002	50 mm	6418914711839
BW003	55 mm	6418914711846
BW004	60 mm	6418914711853
BW005	70 mm	6418914711860



- brushed brass
- with 3 keys

Order no.	Size	EAN
BW009	20 mm	6418914717848
BW010	25 mm	6418914717855
BW011	32 mm	6418914717862
BW012	38 mm	6418914717879
BW013	50 mm	6418914717886
BW014	63 mm	6418914717893



- stainless steel
- with 2 keys

Order no.	Size	EAN
BW006	50 mm	6418914717817
BW007	70 mm	6418914717824
BW008	90 mm	6418914717831



KEY RINGS

- packing size: 10

Order no.	Pcs/pack.	EAN
AVE29365	5	5701733293657
Key ring + slide lock, nickel-plated		
AVE29394	1	5701733293947



Accessories

MAGNETIC HASP

- package includes the screws
- packing size: 1/10



Order no.	Size	Pcs/package	EAN
B0173	29 x 59 mm	1	6418914533851

DOOR LOCKS

- with magnet, plastic
- packing size: 10



avenue

Order no.	Size	Pcs/package	EAN
AVE29450	3-4 kg	2	5701733294500
AVE29456	6 kg	1	5701733294562



HINGE PAIRS

- the package includes 2 pcs of hinges +screws
- packing size: 1/10

avenue

Order no.	Material	Size	EAN
AVE28206	brass	32 mm	5701733282064
AVE28211	zinc coated	40 mm	5701733282118
AVE28212	zinc coated	50 mm	5701733282125
AVE28216	zinc coated	100 mm	5701733282163



Accessories



HINGE PAIRS

Order no.	Size	Pcs/pack.	Packing size	EAN
KT058	64 x 42 mm	2	1/12/180	6418914705630
KT059	76 x 49 mm	2	1/12/180	6418914705647
KT060	85 x 61 mm	2	1/12/108	6418914705654



Accessories

A-HINGE PAIRS

- zinc coat
- packing size: 1



Order no.	Size	EAN
B0130	100 mm	6418914650534
B0131	150 mm	6418914650541
B0132	200 mm	6418914650558



PIANO HINGES

- packing size: 1/10

avenue

Order no.	Size	Pcs/package	EAN
AVE37809	25 x 900 mm	1	5701733378095
AVE37904	32 x 400 mm	1	5701733379047
AVE37906	32 x 600 mm	1	5701733379061
AVE37909	32 x 900 mm	1	5701733379092
AVE37912	32 x 1200 mm	1	5701733379122



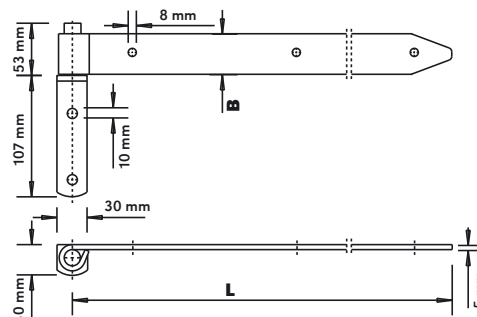
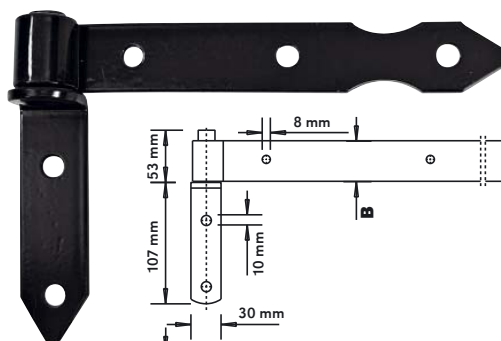
Accessories

T-HINGE PAIRS

- zinc coat
- packing size: 1



Order no.	Size	EAN
B0133	100 mm	6418914650565
B0134	150 mm	6418914650572
B0135	200 mm	6418914650589



WROUGHT STEEL HINGES

- flap hinge for gates, stock house doors etc.
- material/surface treatment: black prime colour /FE
- packing size: 1/10



Accessories

Order no.	L	B	EAN
B0121	200 mm	30 mm	6418914500280
B0122	300 mm	40 mm	6418914500297
B0123	400 mm	40 mm	6418914500303
B0124	500 mm	40 mm	6418914500310
B0125	600 mm	50 mm	6418914500327



Accessories

T-HINGE

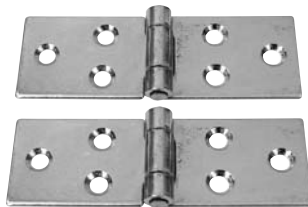
- zinc coat
- packing size: 1/20/200



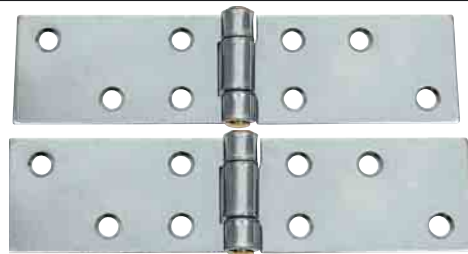
Order no.	Size	EAN
KT012	175 mm	6418914698697



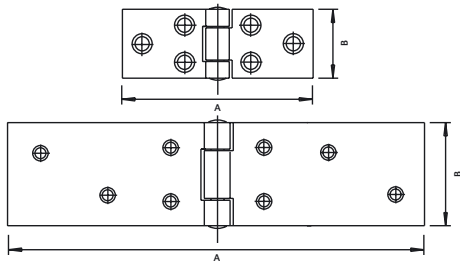
B0065



B0066-
B0067



B0068-
B0070



STRAP HINGE PAIRS

- flap hinge for boxes, hatches and light doors
- surface treatment: FE/ZN, -pin /ME

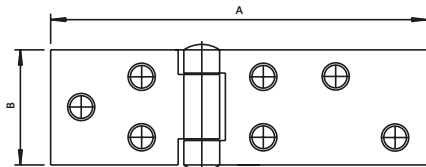


Order no.	A	B	Material mm	Pack.size	EAN
B0065	72	26	2	1/20	6418914500204
B0066	100	32	2,5	1/20	6418914500211
B0067	100	38	2,5	1/20	6418914500228
B0068	150	38	2,5	1/15	6418914500235
B0069	100	50	2,5	1/20	6418914500242
B0070	200	50	2,5	1/10	6418914500259



T-STRAP HINGE PAIRS

- flap hinge for boxes, hatches and light doors
- material: FE/ZN, -pin ME



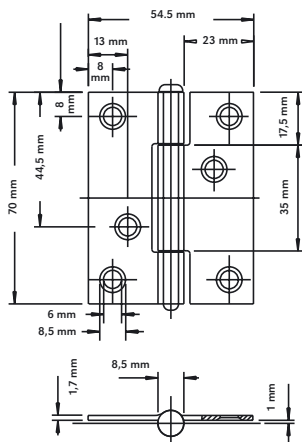
Order no.	A	B	Material mm	Pack. size	EAN
HE0071	125	38	2,5	1/15	6416224136007
HE0072	145	50	2,5	1/10	6416224137004



PIN HINGE PAIR 70 mm x 23 mm x 2 mm

B0062

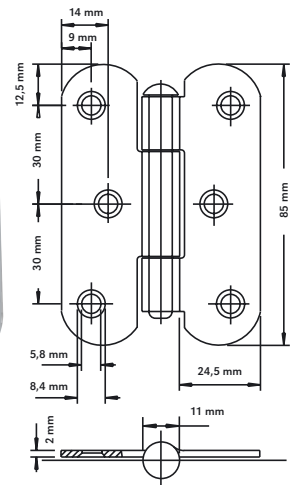
- for doors
- with detachable cotter bolt
- surface treatment: FE/ZN
- packing size: 1/10
- EAN 6418914500181



PIN HINGE PAIR 85 mm x 25 mm x 2 mm

B0063

- for doors
- with detachable cotter bolt
- surface treatment: FE/ZN
- packing size: 1/10
- EAN 6418914500198



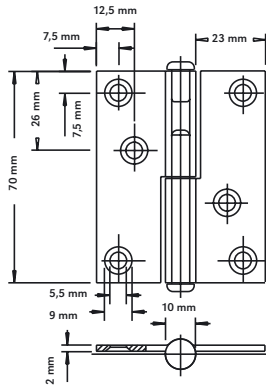
HINGES FOR SWINGING DOORS

- material: steel
- surface treatment: chrome plated
- packing size: 1/10



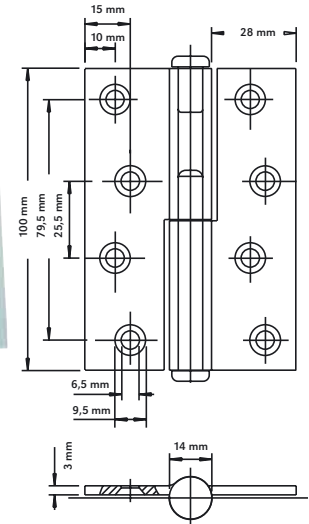
Order no.	Size	EAN
B9053	75 mm	6418914500457
B9054	100 mm	6418914500464
B9055	125 mm	6418914500471
B9056	150 mm	6418914500488

Abbreviations: **FE** = steel **ME** = brass/brassed **AL** = aluminium **ZN** = zinc coated **CR** = chrome plated



DETACHABLE HINGE PAIRS 70 mm

- for doors and hatches
- surface treatment: FE/ZN
- packing size: 1/10



DETACHABLE HINGE PAIRS 100 mm

- for doors and hatches
- surface treatment: FE/ZN
- packing size: 1/10

Order no.	Handness	EAN
B0052	right	6418914500082
B0053	left	6418914500099

Order no.	Handness	EAN
B0054	right	6418914500105
B0055	left	6418914500112



DETACHABLE HINGE PAIRS bended, 85 mm x 25 mm x 2 mm

- for doors etc.
- surface treatment: FE/ZN
- packing size: 1/10



Order no.	Handness	EAN
B0056	right	6418914500129
B0057	left	6418914500136



DETACHABLE HINGES WITH BEARINGS, 115 mm x 33 mm x 3 mm

- for doors etc.
- surface treatment: FE/ZN
- packing size: 1/6

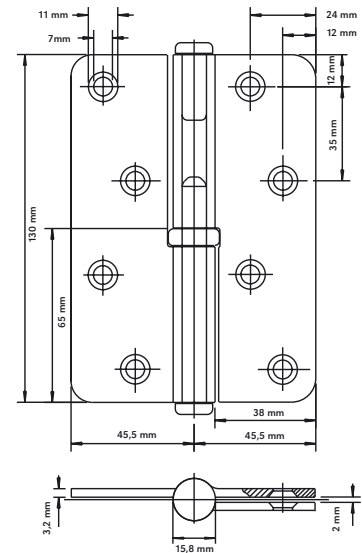
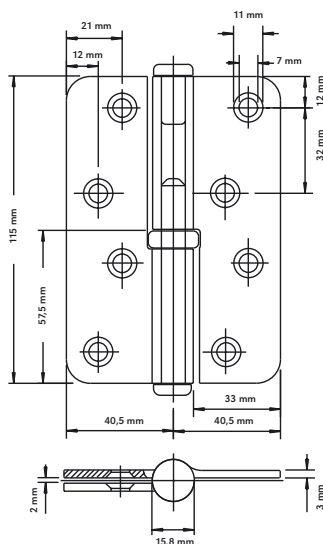
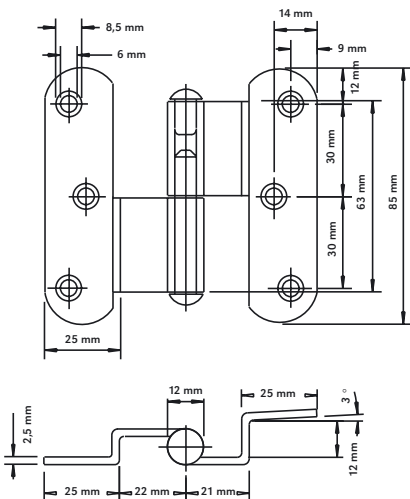
Order no.	Handness	EAN
B0058	right	6418914500143
B0059	left	6418914500150



DETACHABLE HINGES WITH BEARINGS, 130 mm x 38 mm x 3 mm

- for doors etc.
- surface treatment: FE/ZN
- packing size: 1/6

Order no.	Handness	EAN
B0060	right	6418914500167
B0061	left	6418914500174



Abbreviations: **FE** = steel **ME** = brass/brassed **AL** = aluminium **ZN** = zinc coated **CR** = chrome plated

IP-packing STAINLESS STEEL HINGES

HINGES

- material: stainless steel A2/aisi304
- 1 pc/package
- packing size: 1/10



Order no.	Size	EAN
IP595	25 x 30 x 0,8 mm	8019725059509
IP596	30 x 30 x 0,8 mm	8019725059608
IP597	35 x 40 x 0,8 mm	8019725059707

HINGES

- material: stainless steel A2/aisi304
- 1 pc/package
- packing size: 1/10



Order no.	Size	EAN
IP598	40 x 40 x 0,8 mm	8019725059806
IP599	40 x 50 x 0,8 mm	8019725059905
IP600	50 x 50 x 0,8 mm	8019725060000
IP601	50 x 60 x 0,8 mm	8019725060109
IP602	55 x 70 x 0,8 mm	8019725060208

HINGES

- material: stainless steel A2/aisi304
- 1 pc/package
- packing size: 1/10



Order no.	Size	EAN
IP515	75 x 20 x 1,5 mm	8019725051503
IP516	85 x 30 x 1,5 mm	8019725051602
IP517	100 x 40 x 1,5 mm	8019725051701

HINGES

- material: stainless steel A2/aisi304
- 1 pc/package
- packing size: 1/10



Order no.	Size	EAN
IP518	80 x 20 x 1,5 mm	8019725051800
IP519	90 x 30 x 1,5 mm	8019725051909
IP520	100 x 40 x 1,5 mm	8019725052005

HINGES

- material: acid-proof steel A4/aisi316
- 1 pc/package
- packing size: 1/10



Order no.	Size	EAN
IP980	38 x 38 x 4 mm	8019725098003
IP981	50 x 50 x 4 mm	8019725098102

HINGES door model

- material: acid-proof steel A4/aisi316
- 1 pc/package
- packing size: 1/10



Order no.	Size	EAN
IP982	38 x 56 x 4 mm	8019725098201
IP983	38 x 76 x 4 mm	8019725098300

HINGE

- material: stainless steel A2/aisi304
- 1 pc/package
- packing size: 1/10



Order no.	Size	EAN
IP512	55 x 40 x 1,5 mm	8019725051206

HINGE

- material: stainless steel A2/aisi304
- 1 pc/package
- packing size: 1/10



Order no.	Size	EAN
IP513	70 x 40 x 1,5 mm	8019725051305

HINGE

- material: stainless steel A2/aisi304
- 1 pc/package
- packing size: 1/10



Order no.	Size	EAN
IP514	75 x 40 x 1,5 mm	8019725051404

HINGE table model

- material: stainless steel A2/aisi304
- 1 pc/package
- packing size: 1/10



Order no.	Size	EAN
IP511	30 x 80 x 2 mm	8019725051107

IP-packing STAINLESS STEEL BARS



IP989



IP590

BARS

- material: stainless steel A2/aisi304
- 1 pc/package
- packing size: 1/10

Order no.	Size	EAN
IP989	55 mm	8019725098904
IP590	115 mm	8019725059004



LOCKING BAR

- material: stainless steel A2/aisi304
- 1 pc/package
- packing size: 1/10

Order no.	Size	EAN
IP990	115 mm	8019725099000



LOCKING JOINT BAR

- material: stainless steel A2/aisi304
- 1 pc/package
- packing size: 1/10

Order no.	Size	EAN
IP984	100 x 25	8019725098409



LIFTING RING

- material: acid-proof steel A4/aisi316
- 1 pc/package
- packing size: 1/10

Order no.	Size	EAN
IP979	65 x 56 mm	8019725097907

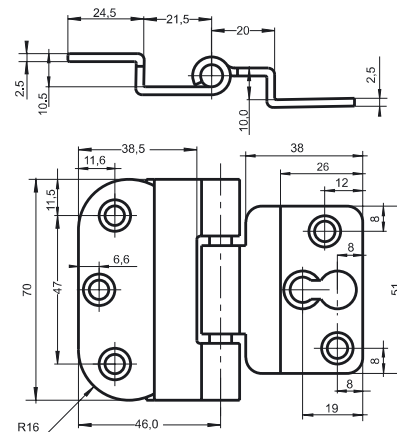


Accessories

INDOOR HINGE PAIR

B9036

- symmetric pin supporting flap hinge
 - height adjustment +/- 3 mm
 - for bent targets (case)
 - striking pieces (door) nut M12x20/M6x20 and lock screws
 - material steel
 - load recommendations:
0-25 kg/2 hinges,
25-50 kg/3 hinges
 - white
 - packing size: 1/10/80
- EAN 6418914633490



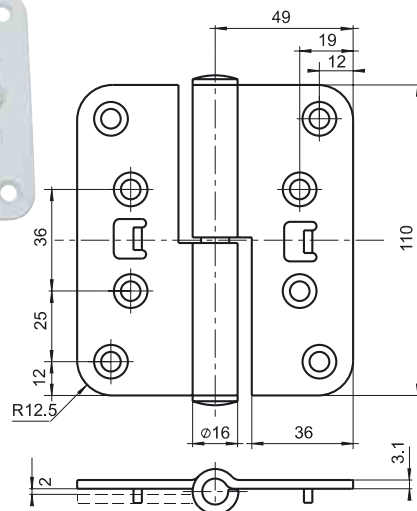
Accessories

DOOR HINGE PAIRS

- non-bent, break-in protected lift hinge
- height adjustment -2+4 mm
- certified by state TRC, fulfills the standard SFS 4487 class 1 requirements
- breaking strength 6kN for two hinges
- symmetric cutting
- material steel
- out-, fire-, sauna-, balcony- and garage -doors
- load recommendations:
25-40 kg/ 2 hinges,
40-60 kg/ 3 hinges,
60-80 kg/ 4 hinges
- packing size: 1/10/40



Orde no.	Colour	Hand	EAN
B9027	Zink	Left	6418914633407
B9027A	Zink	Right	6418914633568
B9028	White	Left	6418914633414
B9028A	White	Right	6418914633575



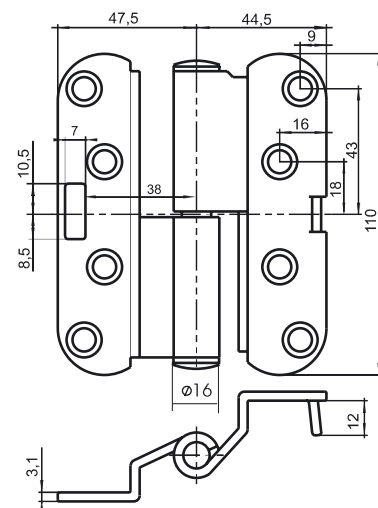
Accessories

DOOR HINGE PAIRS

- bent, break-in protected lift hinge
- height adjustment -2+4 mm
- symmetric cutting
- definable hand: right or left
- material steel
- white
- out-, fire-, sauna-, balcony- and garage -doors
- load recommendations:
25-40 kg/ 2 hinges,
40-60 kg/ 3 hinges,
60-80 kg/ 4 hinges
- packing size: 1/10/40



Order no.	Colour	Hand	EAN
B9029	Zink	Left	6418914633421
B9029A	Zink	Right	6418914633582

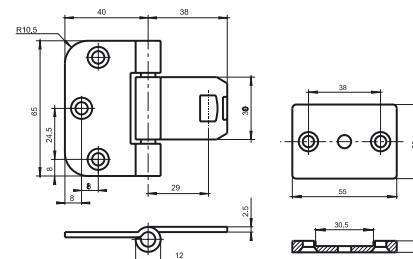


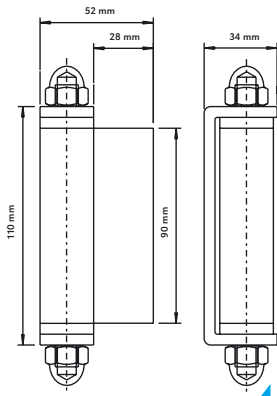
Accessories

INDOOR HINGE PAIR with striking piece

B9035

- symmetric pin supporting flap hinge
 - height adjustment +/- 3 mm
 - for non-bent targets (case)
 - material steel, striking piece zink alloy
 - sinking of striking pieces with milling cutter
 - white
 - packing size: 1/10/80
- EAN 6418914633483

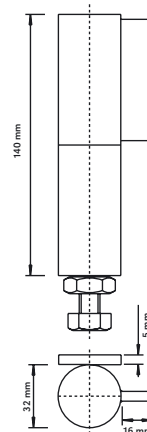




FIREDOOR HINGE PAIR 7, weldable

HE0078

- spring-actuated, for steel firedoors
- with slide bearings
- size of spring unloaded 75x20 mm
- surface treatment: FE
- packing size: 1/3
- EAN 6416224011861



HINGE NO. 8, weldable

HE0126

- adjustable
- with thrust-and needle bearings
- made of steel, permanently lubricated
- capacity 250 kg/hinge
- surface treatment: FE
- packing size: 1
- EAN 6416224389007

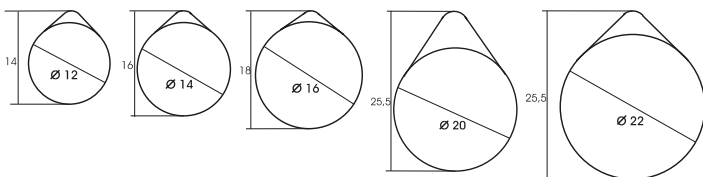


Weldable HINGE PAIRS

- material steel

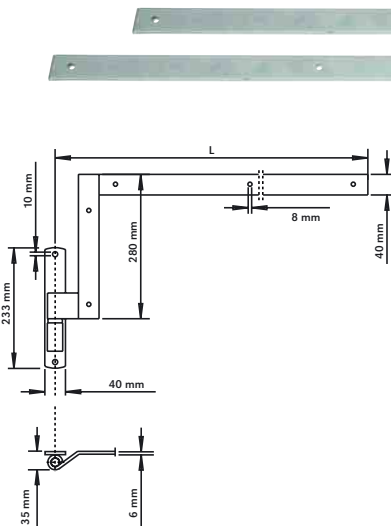


Order no.	Length mm	Bearings	Pack.size	EAN
B9030	80	slide	1/10/220	6418914633438
B9031	100	slide	1/10/120	6418914633445
B9032	120	ball	1/10/80	6418914633452
B9033	140	ball	1/10/40	6418914633469
B9034	180	ball	1/10/30	6418914633476



Width of door (mm)	Material thickness of profile at mounting point (mm)	Max. weight of door / hinge pair(kg) Height of door 1900 mm or higher					
		Length of hinge (mm)					
		60	80	100	120	140	180
600	1	80	110	135	170	200	275
	2	160	220	270	340	400	550
	3	240	330	405	510	600	825
800	1	65	90	110	140	165	225
	2	130	180	220	280	330	450
	3	195	270	330	420	495	675
1000	1	55	75	95	120	140	190
	2	110	150	190	240	280	380
	3	165	225	285	360	420	570
1200	1	50	65	85	105	120	165
	2	100	130	170	210	240	330
	3	150	195	255	315	360	495
1400	1	40	60	75	95	110	145
	2	80	120	150	190	220	290
	3	120	180	225	285	330	435
1500	1	40	55	70	85	100	135
	2	80	110	140	170	200	270
	3	120	165	210	255	300	405

Example: For door, width 1200 mm x height > 1900 mm, material thickness of profile at mounting point 2 mm and weight 230 kg, choose from the table a hinge pair from line 1200 -> 2 -> 140 = 240 kg.

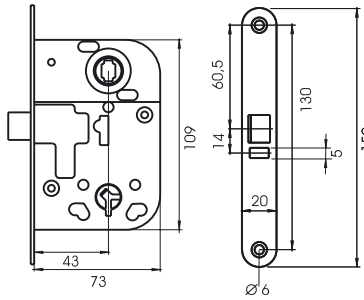


CARAGE HINGE SET FOR DOUBLE DOORS

HE0120

- on the outer surface of door
- equipped with thrust bearing
- right-handed hinge, the upper hinge is suitable as left-handed bottom hinge
- length: L = 800 mm (12/800)

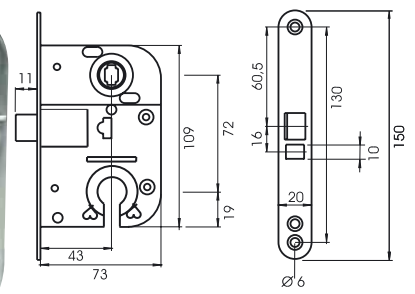
- surface treatment: FE/ZN
- 4 hinges / package
- packing size: 1/4
- EAN 6416224539006



LOCK BODY for indoors

B9007

- symmetric lock body
- with separate lock bolt
- the handedness of lock bolt can be turned by extracting
- for doors inside, toilet doors etc.
- material steel/zink alloy, painted golden brown
- packing size: 1/10/40
- EAN 6418914633209



LOCK BODY FOR DIN-cylinder

B9008

- symmetric lock body
- the handedness of lock bolt can be turned by extracting out
- material steel/zink alloy, painted golden brown
- packing size: 1/10/40
- EAN 6418914633216



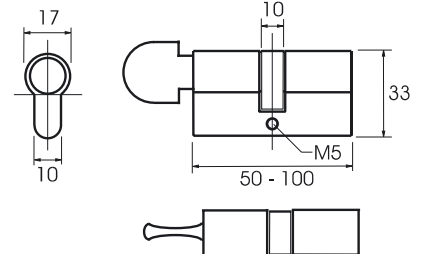
B9013A



B9013

LOCK CYLINDER FOR DIN-lock body

- includes 3 keys
- length 60 mm
- for lock body B9008
- material brass
- with hardened breaking-in protection pins
- packing size: 1/10/120



B9013

EAN 6418914633261

B9013A

- with turning knob
- EAN 6418914707054

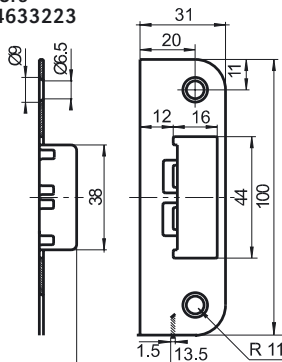
STRIKING PLATES FOR LOCKS

- material steel, painted golden brown
- packing size: 1/10/600



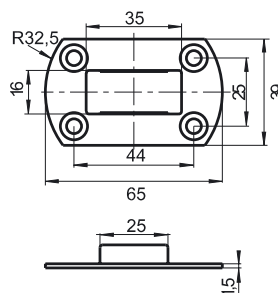
B9009

- non-bent doors
- EAN 6418914633223



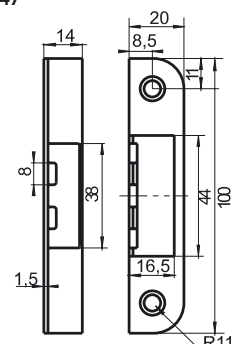
B9010

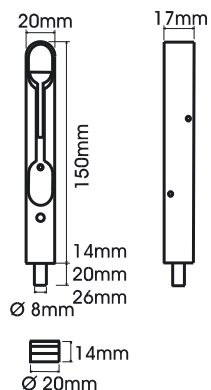
- double doors
- EAN 6418914633230



B9011

- bent doors
- EAN 6418914633247





EDGE LOCK PLUNGER

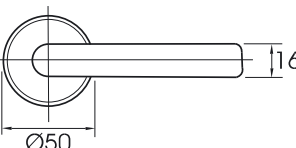
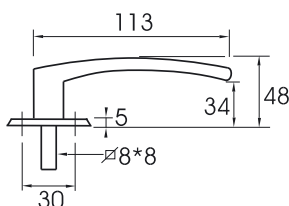
B9012

- with adjustable lock bolt
- eccentric striker ABS-plastic
- material steel / zink alloy
- packing size: 1/10/120

EAN 6418914633254



Accessories



INDOOR HANDLES

- with nylon bearings
- material steel and zink alloy
- packing size: 1/10/40

Order no.	Colour	EAN
B9014	chrome	6418914633278
B9015	brass	6418914633285
B9016	white	6418914633292



ENTRANCE DOOR HANDLES

- with nylon bearing
- material steel and zink alloy
- packing size: 1/10



Accessories



Order no.	Colour	EAN
B0136	chrome	6418914650596
B0137	white	6418914650602
B0138	brass	6418914650619
B0139	satin chrome-plated	6418914650626
B0140	dull brass	6418914650633
B0141	satin chrome-plated	6418914650640
B0142	dull brass	6418914650657
B0143	satin chrome-plated	6418914650664
B0144	dull brass	6418914650671



TOILET TURNING KNOBS

- material steel / ABS-plastic
- packing size: 1/10/160



Accessories

Order no.	Colour	EAN
B9017	chrome	6418914633308
B9018	brass	6418914633315
B9019	white	6418914633322



TOILET TURNING KNOBS

- material zinc alloy
- packing size: 1



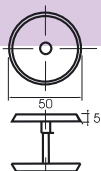
Accessories

Order no.	Colour	EAN
B9072	dull brass	6418914652279
B9073	satin chrome-plated	6418914652286



COVER PLATES

- material steel
- packing size: 1/10/300



Order no.	Colour	EAN
B9023	chrome	6418914633360
B9024	brass	6418914633377
B9025	white	6418914633384



COVER PLATES

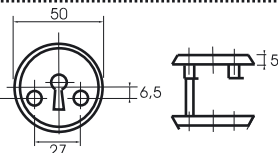
- material zinc alloy
- packing size: 1

Order no.	Colour	EAN
B9076	dull brass	6418914652316
B9077	satin chrome plated	6418914652323



KEYHOLE PLATES

- material steel
- packing size: 1/10/300



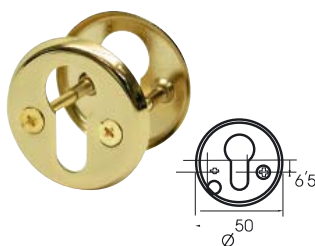
Order no.	Colour	EAN
B9020	chrome	6418914633339
B9021	brass	6418914633346
B9022	white	6418914633353



KEYHOLE PLATES

- material zinc alloy
- packing size: 1

Order no.	Colour	EAN
B9074	dull brass	6418914652293
B9075	satin chrome plated	6418914652309



CYLINDER PLATE

- material steel
- brassing
- packing size: 1/10/300
- EAN 6418914633391



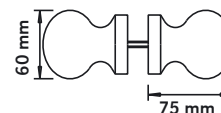
ROUND HANDLES

- material zamak
- screws included
- packing size: 1/10

Order no.	Colour	EAN
B0175	satin chrome plated	6418914533875
B0176	dull brass	6418914533882



ROUND WOODEN HANDLE PAIR Ø 60 mm



- rotary-cut wood, no surface treating
- packing size: 1/10
- EAN 6416224211004



CHEST HANDLES

- material zamak
- screws included
- packing size: 1/10

Order no.	Colour	Length	EAN
B0177	satin chrome plated	96 mm	6418914633339
B0178	satin chrome plated	128 mm	6418914633346
B0179	satin chrome plated	200 mm	6418914633353



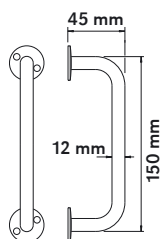
HANDLE PAIR FOR BOX

- zinc coated
- packing size: 1/12/60
- EAN 6418914705678



CABINET DOOR HANDLE 150 x 12 mm

- surface treatment: brassing/chrome
- packing size: 1/10
- EAN 6416224797000

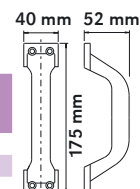


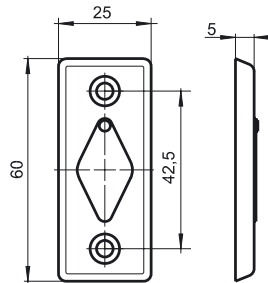
DOOR HANDLES 175 mm

- weather-resistant universal handle
- packing size: 1/10



Order no.	Colour	EAN
HE0108	white	6416224225008
HE0109	black	6416224222007
HE0110	grey	6416224221000



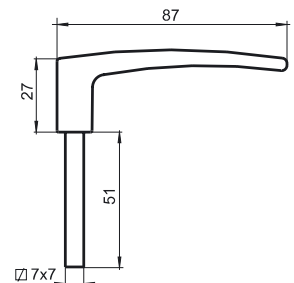


Accessories

WINDOW PLATES

- with cover
- material steel
- packing size: 1/10/600

Order no.	Colour	EAN
B9000	Chrome	6418914633131
B9001	Brass	6418914633148
B9002	White	6418914633155



Accessories

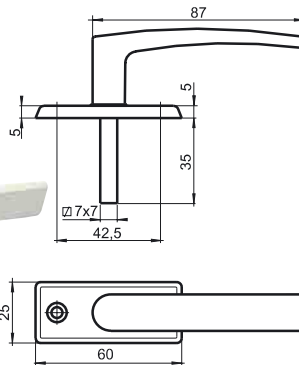
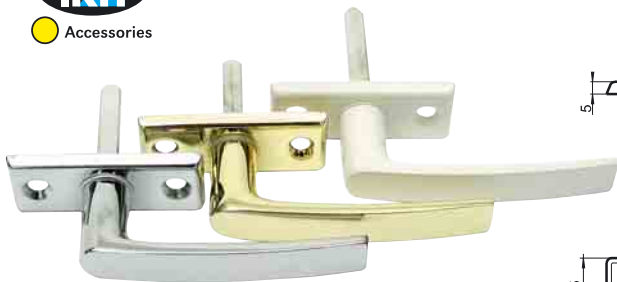
WINDOW HANDLE

B9003

- material steel and zink alloy
- chrome plated
- packing size: 1/10/180
- EAN 6418914633162



Accessories



WINDOW HANDLE + PLATE

- material steel and zink alloy
- packing size: 1/10/120

Order no.	Colour	EAN
B9004	Chrome	6418914633179
B9005	Brass	6418914633186
B9006	White	6418914633193



LATCH PIN PAIR

B9044

- material steel
- surface treatment: zink coated
- packing size: 1/20
- EAN 6418914500372



Accessories



Accessories

WINDOW LOCK

B9046

- counterboring with 125 mm blade
- material steel
- surface treatment: zink coated
- packing size: 1/10
- EAN 6418914500389



Accessories

HINGE BOLT PAIRS FOR WINDOW

- symmetric hinge bolt for doors and windows
- material steel
- predrilling holes: M6x25: 4,9 - 5,0 mm
M8x35: 6,4 - 6,8 mm
- packing size: 1/10



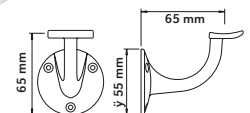
Order no.	Surface treatment/colour	Size	EAN
B9040	zinc coated	M6 x 25 mm	6418914500334
B9041	zinc coated	M8 x 35 mm	6418914500341
B9042	white	M8 x 35 mm	6418914500358
B9043	brass	M8 x 35 mm	6418914500365



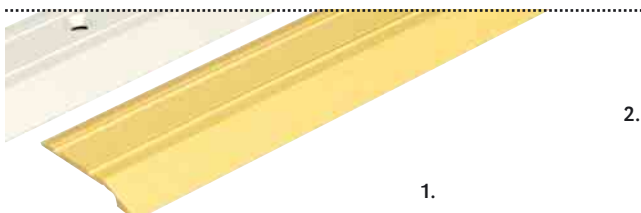
Accessories

BALUSTER SUPPORT HOOKS

- packing size: 1/10



Order no.	Material	EAN
HE0116	AL	6416224242005
HE0117	AL/ME	6416224243002
HE0118	AL/painted white	6416224006713



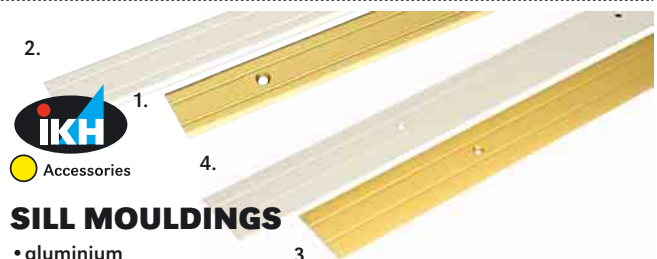
MULTI-LEVEL MOULDINGS

- aluminium
- package includes screws
- packing size: 1/10



Accessories

Order no.	Colour	Size	EAN
1. KT041	gold	30/3 mm x 1 m	6418914698987
2. KT042	aluminium	30/3 mm x 1 m	6418914698994



SILL MOULDINGS

- aluminium
- package includes screws
- packing size: 1/10

Order no.	Colour	Size	EAN
1. KT043	gold	25 mm x 1 m	6418914699007
2. KT044	aluminium	25 mm x 1 m	6418914699014
3. KT045	gold	38 mm x 1 m	6418914699021
4. KT046	aluminium	38 mm x 1 m	6418914699038

Abbreviations: **FE** = steel **ME** = brass/brassed **AL** = aluminium **ZN** = zinc coated **CR** = chrome plated



DOOR PUMPS

- for inside use
- packing size: 1

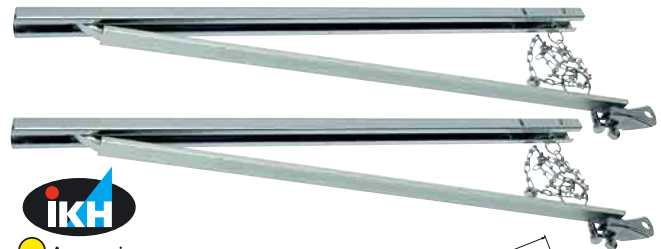
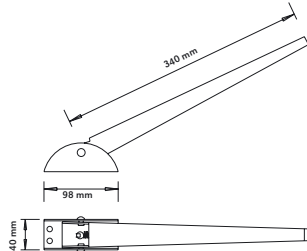
Order no.	Size	EAN
HE0160	40 kg (light doors)	6418914639645
HE0161	60 kg (normal doors)	6418914639621
HE0162	80 kg (heavy doors)	6418914639638



DOOR HOLDER

B0079

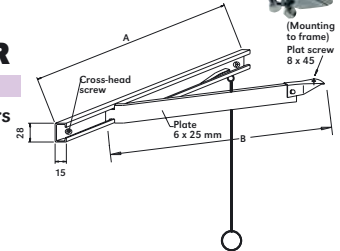
- for stockroom and garage doors
- surface treatment: FE/ZN
- packing size: 1/3
- EAN 6418914505186



DOOR HOLDER PAIR

B0080

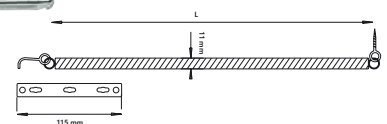
- for stockroom and garage doors
- incl. cleats for wooden door
- A = 595 mm, B = 575 mm
- surface treatment: FE/ZN
- packing size: 1/3
- EAN 6418914505193



TELESC. DOOR HOLDER

B0083

- adjustable, outwards opening doors
- L = 440 - 700 mm
- suitable door width = 600 - 900 mm
- surface treatment: FE/white epoxy paint
- packing size: 1/3
- EAN 6418914505353

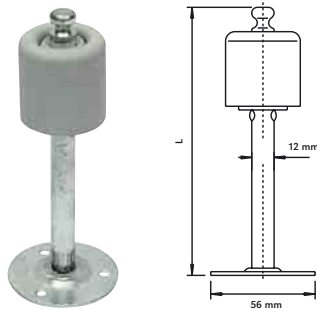


DOOR SPRINGS

- surface treatment: FE/Zn
- packing size: 1/10



Order no.	L mm	Wire thickness mm	EAN
B0081	300	1,5	6418914505209
B0082	350	2,0	6418914505216

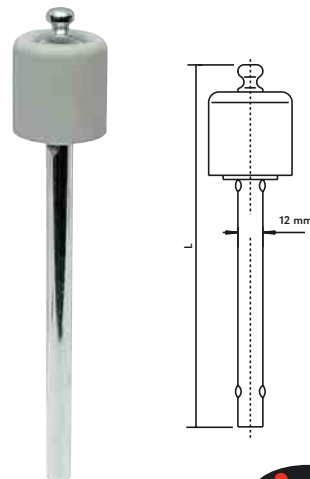


DOOR HOLDER with mounting flange

- door stopper rubber and door loop
- surface treatment: FE/ZN



Order no.	Height mm	Pack. size	EAN
B0084	100	1/60	6418914505223
B0085	140	1/50	6418914505230

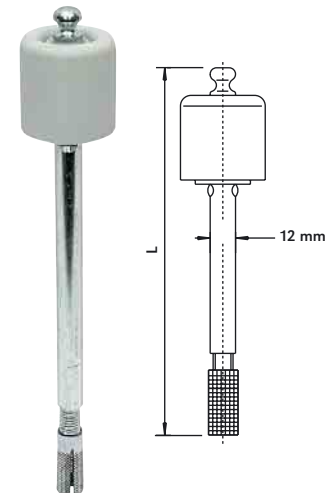


DOOR HOLDER, straight pin

- door stopper rubber and door loop
- surface treatment: FE/ZN



Order no.	Height mm	Pack. size	EAN
B0086	220	1/60	6418914505247
B0088	270	1/50	6418914505254



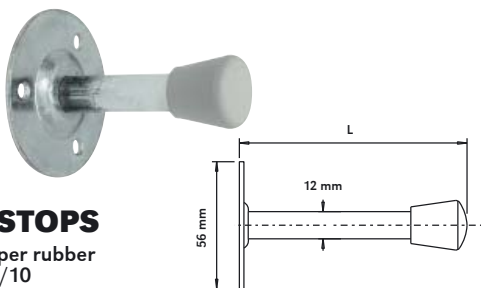
DOOR HOLDER 220 mm, with key-wedge

B0087

- door stopper rubber and door loop
- surface treatment: FE/ZN
- packing size: 1/5
- EAN 6418914505254



Abbreviations: **FE** = steel **ME** = brass/brassed **AL** = aluminium **ZN** = zinc coated **CR** = chrome plated



FRONTAL STOPS

- with door stopper rubber
- packing size: 1/10

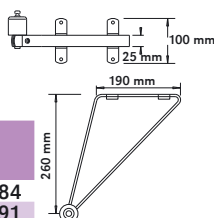
Order no.	L	Surface treatment	EAN
B0089	60 mm	FE/ZN	6418914505278
B0090	60 mm	FE/ZN/white	6418914505285
B0091	80 mm	FE/ZN	6418914505292
B0092	80 mm	FE/ZN/white	6418914505308
B0093	100 mm	FE/ZN	6418914505315
B0094	100 mm	FE/ZN/white	6418914505322



TRIANGLE STOPPERS

- wall-mountable door stopper with door loop
- packing size: 1/5

Order no.	Surface treatment	EAN
B0129	FE/ZN	6418914505384
B0163	FE/white	6418914505391



RUBBER DOOR STOPPER

HE0100

- height 28 mm
 - length 108 mm
 - packing size: 1/10
- EAN 6416224597006



DOOR STOPPER RUBBER PAIR

- packing size: 1/20

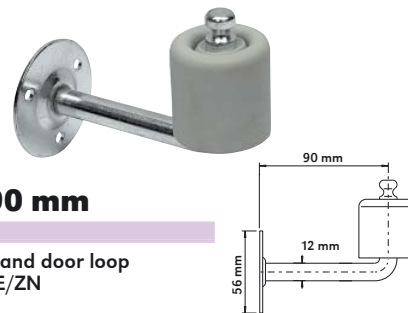
Order no.	Ø	Colour	EAN
HE0101	22 mm	white	6416224599000
HE0102	22 mm	grey	6416224722002



DOOR STOPPER with sticker

HE0106

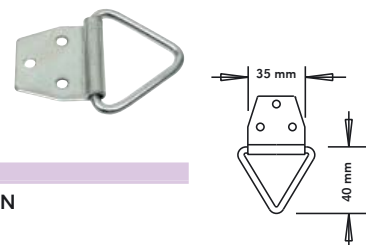
- size 20x20 mm
 - 4 pcs/package
 - packing size: 1/20
- EAN 6416224605008



ANGLED DOOR STOP 90 mm

B0095

- door stopper rubber and door loop
 - surface treatment: FE/ZN
 - packing size: 1/5
- EAN 6418914505339



DOOR LOOP

B0099

- surface treatment: FE/ZN
 - packing size: 1/20
- EAN 6418914505346



BUFFERS FOR DOOR STOPPER

- packing size: 1/20

Order no.	Ø	Height	EAN
HE0096	40 mm	24 mm	6416224727007
HE0097	40 mm	40 mm	6416224728004
HE0098	34 mm	70 mm	6416224603004

DOOR STOPPER PAIR

KT064

- height 28 mm
 - 2 pcs/package
 - packing size: 1/12/144
- EAN 6418914705692



avenue

DOOR STOPPER

- packing size: 10



Order no.	Ø	Pcs/package	EAN
AVE29250	20 mm	4	5701733292506



BUFFERS FOR DOOR HANDLES

- packing size: 1/10

Order no.	Colour	EAN
HE0103	bright	6416224601000
HE0104	white	6416224067202
HE0105	grey	6416224720008



GARAGE DOOR OPENERS



TORANTRIEBE

- max. height of door:
 - tilt-up door 2,5 m
 - sectional door 2,3 m
- automatic force setting
- very low headroom required: 35 mm
- chain drive
- divided rail 3 x 1,0 m
- with integrated encoder
- programmed data remain stored even after power loss
- full emergency release
- safety switch in case of power failure
- self-learning travel path and force: control learns the end positions of the door and also the force required in opening and closing
- protection class IP20
- the range of transmitter 50 m (in free field)
- TUV and GS approved
- packing size: 1



Alpha 500 N

BE050

- wormgear motor 24 V, input power 230 V/110 W
- max. push / pull force 500 N
- max. door surface area 6 m²
- 10 W / 12 V lamp, fixed lighting period 3 min.
- remote control with batteries (LR23 A23)
- weight appr. 14 kg
- spare remote control BE050-1
- EAN 4033273003795



Delta 800 N

BE080

- wormgear motor 24 V, input power 230 V/240 W
- max. push / pull force 800 N
- max. door surface area 10 m²
- 40 W / 230 V lamp, fixed lighting period 3 min.
- remote control with batteries (LR23 A23)
- weight appr. 15 kg
- spare remote control BE050-1
- EAN



S401 1200 N

BE120

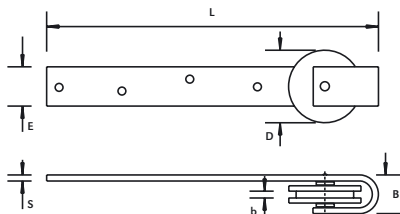
- wormgear motor 24 V, input power 230 V/180 W
- with integrated double sense sensor
- max. push / pull force 1200 N
- max. door surface area 14 m²
- 40 W / 230 V lamp, fixed lighting period 3 min.
- remote control with batteries (3 V CE2032 lithium)
- remote control with double key function
- 7-segment display for programming and for defined error-messages
- weight appr. 18 kg
- spare remote control BE120-1
- EAN



Accessories

SLIDING DOOR ROLL

- ball bearing mounted
- material
 - rod hot-galvanized steel
 - roll zinc coated steel
- packing size: 1/6



Order no.	Capacity	D mm	B mm	b mm	E mm	S mm	L mm	EAN
B0127	75 kg	75	40	9	40	6	340	6418914505360
B0128	150 kg	100	46	10	45	8	460	6418914505377

EQUIPMENT FOR LIGHT-DUTY SLIDING DOORS



- zinc coated
- use on the lighter and smaller doors of shelters, stocks etc. buildings
- material thickness: rail 2 mm, other equipment 4 mm
- capacity 180 kg/gearing, when fastening distance of supports 60-120 cm



SLIDE RAILS

- size 41 x 41 x 2 mm
- packing size: /20

KH0735

- length 3 m
- EAN 6418914167216

KH0736

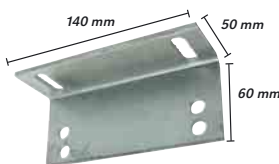
- length 4 m
- EAN 6418914167223



DOOR GEARING SURFACE

KH0741

- BEARING L6000-2RS
- packing size: 1
- EAN 6418914167476



DOOR GEARING ANGLE-IRON

KH0742

- packing size: 1
- EAN 6418914167483



SUPPORT FOR ONE RAIL

KH0737

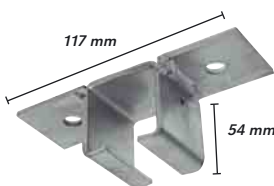
- packing size: 1
- EAN 6418914167445



RAIL BRACKET FOR SUPPORT

KH0748

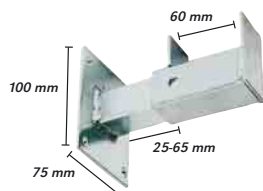
- lock screws needed M6
- packing size: 1
- EAN 6418914167537



SUPPORT ROOF TYPE

KH0745

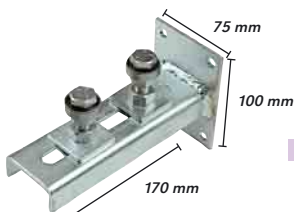
- lock screws needed M6
- packing size: 1
- EAN 6418914167513



DOOR BOTTOM GUIDE

KH0704

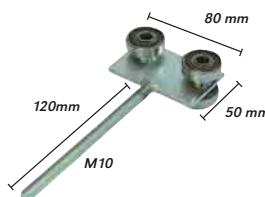
- packing size: 1
- EAN 6418914046986



BOTTOM GUIDE WITH BEARINGS

KH0709

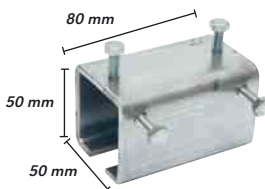
- packing size: 1
- EAN 6418914047037



SLIDING DOOR GEARING

KH0731

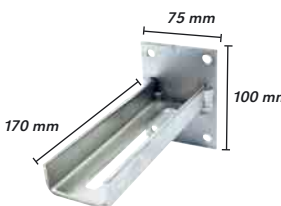
- BEARING L6000-2RS
- packing size: 1
- EAN 6418914167414



EXTENSION PIECE

KH0743

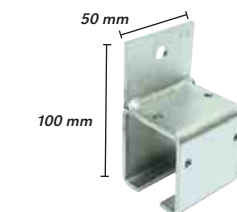
- lock screws needed M6
- packing size: 1
- EAN 6418914167490



SUPPORT FOR TWO RAILS

KH0733

- packing size: 1
- EAN 6418914167421



SUPPORT WALL TYPE

KH0744

- lock screws needed M6
- packing size: 1
- EAN 6418914167506



STOPPER

KH0740

- packing size: 1
- EAN 6418914167469



DOOR GEARING FOR TARPULIN

KH0732

- BEARING L6000-2RS
- packing size: 1
- EAN 6418914181397

The screws needed for locking and mounting separately!



EQUIPMENT FOR SLIDING DOORS

- zinc coated
- use on the doors of shelters, stocks etc. buildings
- material thickness: rail 2,5 mm, other equipment 5 mm
- 250 kg / gearing, when the fastening distance of supports is 60-120 cm



SLIDE RAILS

- size 60 x 68 x 2,5 mm
- packing size: /20

KH0706

- length 4 m
- EAN 6418914047006

KH0705

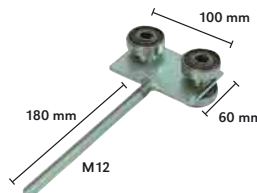
- length 5 m
- EAN 6418914046993



DOOR GEARING SURFACE

KH0711

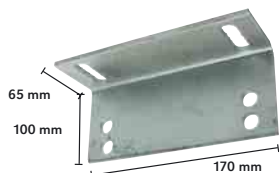
- BEARING L6203-2ZK
- packing size: 1
- EAN 6418914167346



SLIDING DOOR GEARING

KH0701

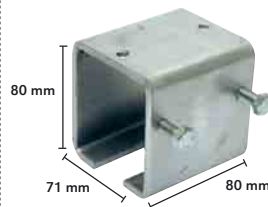
- BEARING L6203-2ZK
- packing size: 1
- EAN 641891406955



DOOR GEARING ANGLE-IRON

KH0712

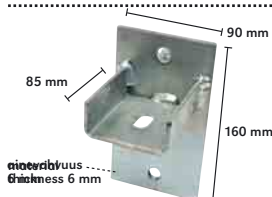
- packing size: 1
- EAN 6418914167353



EXTENSION PIECE

KH0713

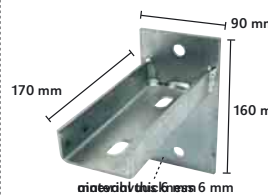
- lock screw needed M8
- packing size: 1
- EAN 6418914167360



SUPPORT FOR ONE RAIL

KH0707

- packing size: 1
- EAN 6418914047013



SUPPORT FOR TWO RAILS

KH0703

- packing size: 1
- EAN 6418914046979



RAIL BRACKET FOR SUPPORT

KH0718

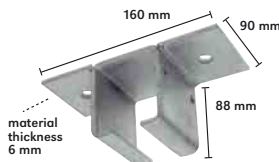
- lock screw needed M8
- packing size: 1
- EAN 6418914167407



SUPPORT WALL TYPE

KH0714

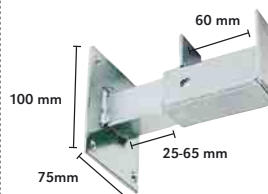
- lock screw needed M8
- packing size: 1
- EAN 6418914167377



SUPPORT, ROOF TYPE

KH0715

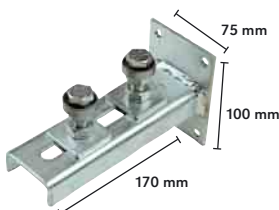
- lock screw needed M8
- packing size: 1
- EAN 6418914167384



DOOR BOTTOM GUIDE

KH0704

- packing size: 1
- EAN 6418914046986



BOTTOM GUIDE WITH BEARINGS

KH0709

- packing size: 1
- EAN 6418914047037



STOPPER

KH0710

- packing size: 1
- EAN 6418914167339

The screws needed for locking and mounting separately!